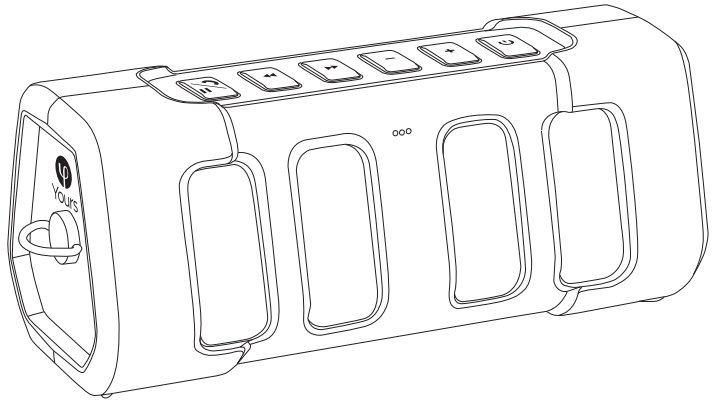




Yours
by *audiophony*®

Weatherproof Bluetooth® speaker system



Brick 120

USER GUIDE

10216 - Version 1 / 07-2017

1 - Safety information

Important safety information



This unit is intended for indoor use only. Do not use it in a wet, or extremely cold/hot locations. Failure to follow these safety instructions could result in fire, electric shock, injury, or damage to this product or other property.



This product contains non-isolated electrical components. Do not undertake any maintenance operation when it is switched on as it may result in electric shock.



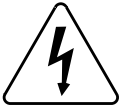
Any maintenance procedure must be performed by a CONTEST authorised technical service. Basic cleaning operations must thoroughly follow our safety instructions.



CAUTION
RISK OF ELECTRIC SHOCK
DO NOT OPEN



WARNING : This unit contains no user-serviceable parts. Do not open the housing or attempt any maintenance by yourself. In the unlikely even your unit may require service, please contact your nearest dealer. In order to avoid any electrical malfunction, please do not use any multi-socket, power cord extension or connecting system without making sure they are perfectly isolated and present no defect.



Risk of electrocution

To prevent the hazard of electric shocks, do not use extension cords, multi-socket or any other connection system without making sure metal parts completely are out of reach.



Sound levels

Our audio solutions deliver important sound pressure levels (SPL) that can be harmful to human health when exposed during long periods. Please do not stay in close proximity of operating speakers.



Recycling your device

- As HITMUSIC is really involved in the environmental cause, we only commercialise clean, ROHS compliant products.
- When this product reaches its end of life, take it to a collection point designated by local authorities. The separate collection and recycling of your product at the time of disposal will help conserve natural resources and ensure that it is recycled in a manner that protects human health and the environment.

Symbols used



This symbol signals an important safety precaution.



The CAUTION symbol signals a risk of product deterioration.



The WARNING symbol signals a risk to the user's physical integrity. The product may also be damaged.

Instructions and recommendations

1 - Please read carefully :

We strongly recommend to read carefully and understand the safety instructions before attempting to operate this unit.

2 - Please keep this manual :

We strongly recommend to keep this manual with the unit for future reference.

3 - Operate carefully this product :

We strongly recommend to take into consideration every safety instruction.

4 - Follow the instructions:

Please carefully follow each safety instruction to avoid any physical harm or property damage.

5 - Avoid water and wet locations :

Do not use this product in rain, or near washbasins or other wet locations.

6 - Installation :



We strongly encourage you to only use a fixation system or support recommended by the manufacturer or supplied with this product. Carefully follow the installation instructions and use the adequate tools.

Always ensure this unit is firmly fixed to avoid vibration and slipping while operating as it may result in physical injury.

7 - Ceiling or wall installation :

Please contact your local dealer before attempting any ceiling or wall installation.

8 - Ventilation :



The cooling vents ensure a safe use of this product, and avoid any overheating risk. Do not obstruct or cover these vents as it may result in overheating and potential physical injury or product damage. This product should never be operated in a closed non-ventilated area such as a flight case or a rack, unless cooling vents are provided for the purpose .

9 - Heat exposure :

Sustained contact or proximity with warm surfaces may cause overheating and product damages. Please keep this product away from any heat source such as a heaters, amplifiers, hot plates, etc...

10 - Electric power supply :



This product can only be operated according to a very specific voltage. These information are specified on the label located at the rear of the product.

11 - Power cords protection:



Power-supply cords should be routed so that they are not likely to be walked on or pinched by items placed upon or against them, paying particular attention to cords at lugs, convenience receptacles and the point where they exit from the fixture.

12 - Cleaning precautions :



Unplug the product before attempting any cleaning operation. This product should be cleaned only with accessories recommended by the manufacturer. Use a damp cloth to clean the surface. Do not wash this product.

13 - Long periods of non use :

Disconnect the unit's main power during long periods of non use.

14 - Liquids or objects penetration :



Do not let any object penetrate this product as it may result in electric shock or fire.

Never spill any liquid on this product as it may infiltrate the electronic components and result in electric shock or fire.

15 - This product should be serviced when :



Please contact the qualified service personnel if :

- The power cord or the plug has been damaged.
- Objects have fallen or liquid has been spilled into the appliance.
- The appliance has been exposed to rain or water.
- The product does not appear to operate normally.
- The product has been damaged.

16 - Inspection/maintenance :



Please do not attempt any inspection or maintenance by yourself. Refer all servicing to qualified personnel.

17 - Operating environment :



Ambient temperature and humidity: +5 - +35°C, relative humidity must be less than 85% (when cooling vents are not obstructed). Do not operate this product in a non-ventilated, very humid or warm place.

2 - Introduction

Experience sound in complete freedom. BRICK120 is a battery powered, weather resistant portable speaker for indoor and outdoor use.

Bluetooth® :

Compatible with your smartphone, tablet or other Bluetooth® transmitter, the BRICK120 speaker connects very easily and offers great freedom of movement.

NFC* compatible, just approach your device and it will be paired.

Equipped with an internal microphone for hands-free phone calls, once connected to your smartphone via Bluetooth®.

10 hours of tranquility:

BRICK120 offers battery operation of approximately 10 hours for a charging time of only 2 hours, and can obviously be used on mains thanks to the adapter supplied.

These data are valid according to the volume level of the speaker.

Enjoy the outdoors

Weatherproof and with comfortable power for outdoor use, the BRICK120 is your most faithful all-terrain companion.

3 - Characteristics

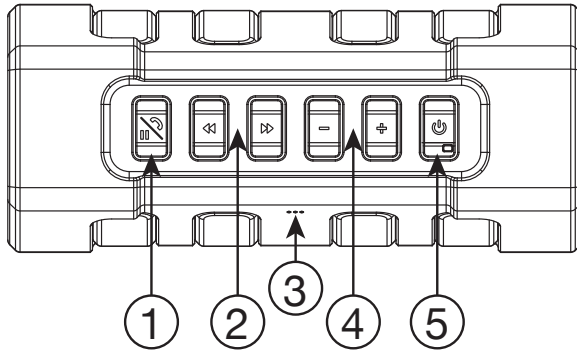
- Easy pairing thanks to NFC (Automatic Proximity Connection) which allows two compatible devices to communicate, for example a smartphone and a wireless speaker.

No configuration constraints, just approach the two devices within 10 cm for them to communicate.

- Bluetooth® V4.0 AVRCP, CSR compression, APT-X, for excellent digital equivalent audio transmission quality
- Average operating distance 10 meters - Bluetooth® Class 2
- Control on top: ON/OFF, LV volume, Play-pause, skip and search, pick up/hook up and LED battery level display.
- Input: Bluetooth® V4.0 connection and 3.5mm jack Auxiliary
- Autonomy: 10 hours approximately
- Recharging in about 2 hours thanks to the charger supplied
- 3600 mAh Lithium battery
- 2x Neodymium speakers for mid/high range + 1 Woofer for bass
- Power: 20W
- Frequency response: 70Hz-18KHz
- IP rate: IPX5 (weatherproof)
- Size: 180 x 80 x 80 mm
- Weight : 650 G

4 - Description of functions and connections

4.1 - The functions



1 - Bluetooth key

Allows you to pause playback or to pick up or hang up the phone in hands-free mode

2 - « and » keys

Return to the previous song or skip to the next song.

3 - Microphone

The built-in microphone allows you to have a phone conversation once your smartphone is connected via Bluetooth®.

4 - □ and + keys

Adjust the sound level.

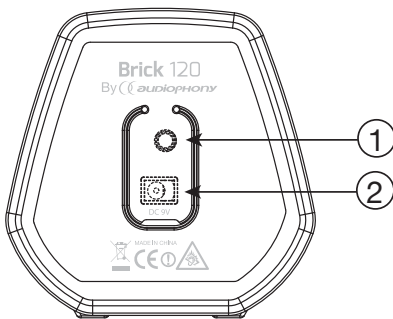
5 - Power keys

Turns the speaker on and off.

LED Indicator :

- Lights red if speaker is active and charging
- Turns off when fully charged
- Blinks blue when the speaker is not connected.
- Lights blue when the speaker is connected to a Bluetooth® source.
- Lights white when the speaker is in Line mode and connected to a source via the auxiliary input Jack 3.5.

4.2 - The Connections



1 - Auxiliary input for connecting a line level source.

Connect your mp3 player here using the included Jack/Jack cable.

This input has priority over Bluetooth®.

2 - Power input.

Connect the supplied AC adapter here to recharge the battery.



Do not use any other type of charger. Respect the 9V DC voltage.




The supplied charger operates at 100-240 V AC

To be able to access the connections of your BRICK120 you must lift the waterproof cover from the side. Be careful to close it tightly to ensure the enclosure is watertight.

5 - Operation

Activating the speaker:

Press the  key for more than 3 seconds. The speaker will beep to confirm activation. The Bluetooth® Status LED flashes blue.

1^{er} Bluetooth® pairing:

By default the speaker is in Bluetooth mode and the LED flashes blue if no source is connected. Now you need to pair a Bluetooth® source. Turn on your Bluetooth® source and perform a device search. Select BRICK120 from the list and accept the connection. The Bluetooth® status indicator LED should remain lit blue.

NFC Bluetooth® pairing:

BRICK120 is compatible with the NFC standard, pairing will be automatic when you pass your source near the speaker.

Using the auxiliary input :

If you wish to use the auxiliary input, connect your source using the supplied Jack/Jack cord. This input has priority over Bluetooth®. The Line input status indicator LED (5) lights up white.



Sound level adjustment :

Use  and  keys to adjust the sound level. Also adjust the output level of your source.


Phoning with your BRICK120 :

Connect your smartphone with Bluetooth®.


- Call reception:

When you receive a call, answer with the  key you can now chat with your interlocutor who will hear you thanks to the microphone (3) located on the front of the speaker. At the end of your conversation you can hang up by pressing the key .

- Making a call:

When you hold down the  key for more than 3 seconds, your phone will dial the last number dialed. Note that on some phones the first number of your contacts will be dialed.

- Reject a call:

When you receive a call hold the key  for more than 3 seconds, you will hear an acoustic signal indicating that the call is rejected.

Note that if you were listening to music, at the end of your phone conversation the speaker will resume playback where it was interrupted.

6 - Troubleshooting

Problem	Solution
Cannot connect my speaker to a Bluetooth® source	<ul style="list-style-type: none"> ● Make sure the speaker is in Bluetooth® mode, the Bluetooth® status indicator LED (4) should flash blue. ● Turn off the speaker. Remove it from the Bluetooth® device list of your source. Pair again.
<ul style="list-style-type: none"> ● Reading stops suddenly ● L'enceinte s'éteint toute seule 	<ul style="list-style-type: none"> ● Make sure the battery is charged. ● Otherwise, connect your BRICK120 to the supplied AC adapter until the battery is fully charged.
No sound comes out	<ul style="list-style-type: none"> ● Adjust the sound level ● Make sure your Bluetooth® device is properly connected and in playback mode.
The sound is hashed.	<ul style="list-style-type: none"> ● Check that you are within the Bluetooth® signal range of your transmitter (about 10m max).
Sound does not come out on my speaker but only on my source	<ul style="list-style-type: none"> ● Make sure that you have paired your speaker and that it is selected as the audio device on your source.
My interlocutors can't hear me	<ul style="list-style-type: none"> ● Check that the microphone opening on the front of the speaker is not obstructed to better capture your words. ● Check the reception quality of the telephone network

Important note on battery use



It is recommended to charge the battery as soon as the indicator LED(5) flashes red. If you have not used your speaker for several weeks, the light may not come on. In this case proceed to a complete charging cycle. We recommend that you charge the battery at least once every three months.



WARNING
Prolonged uses of your speaker at maximum volume may damage your hearing.

For your safety be very careful if you use your BRICK120 on public roads. The noise level must be adjusted so that it is not cut off from its surroundings and can react to traffic around you. The regulations in force must be observed in compliance with road safety regulations.

La société AUDIOPHONY® apporte le plus grand soin à la fabrication de ses produits pour vous garantir la meilleure qualité. Des modifications peuvent donc être effectuées sans notification préalable. C'est pourquoi les caractéristiques techniques et la configuration physique des produits peuvent différer des spécifications et illustrations présentées dans ce manuel.

Pour bénéficier des dernières informations et mises à jour sur les produits AUDIOPHONY® connectez-vous sur www.audiophony.com

AUDIOPHONY® est une marque déposée par **HITMUSIC SA** - En teste - 46230 FONTANES - FRANCE