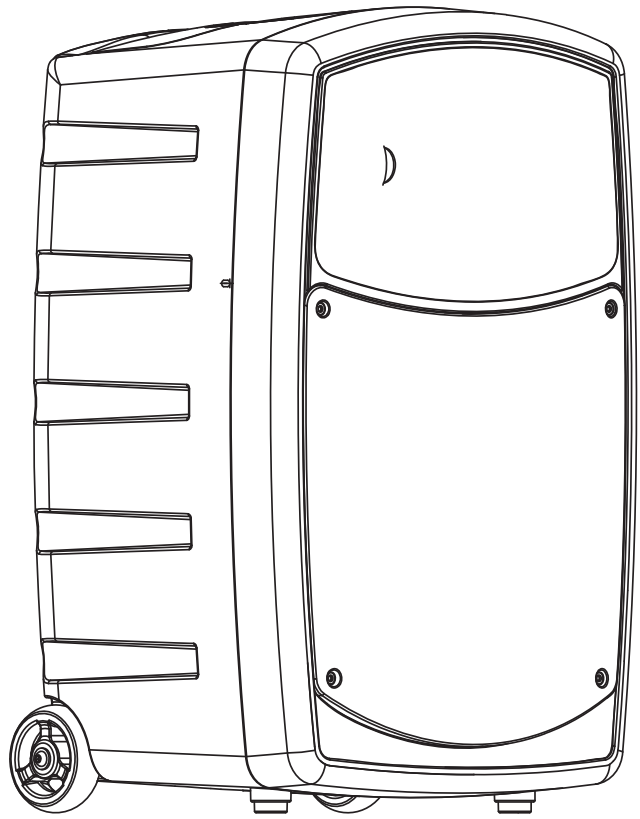
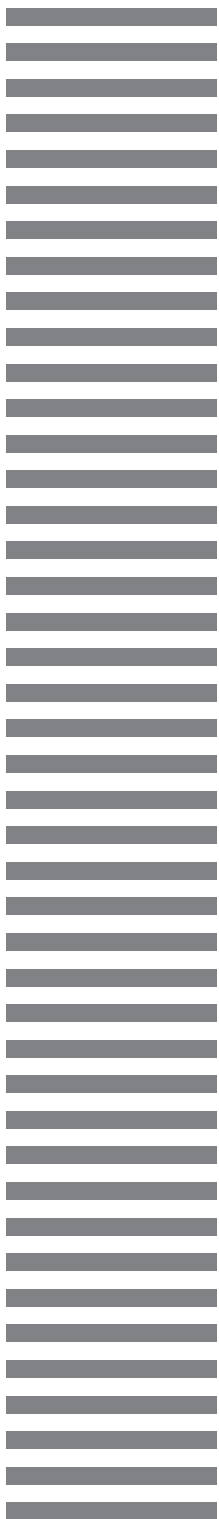


BLUETOOTH® SOUND SYSTEM WITH USB PLAYER & 1 HANDHELD MIC



# CR120A-U1

## USER GUIDE

10285 - Version 1 / 12-2014

# 1 - Safety information

## Important safety information



This unit is intended for indoor use only. Do not use it in a wet, or extremely cold/hot locations. Failure to follow these safety instructions could result in fire, electric shock, injury, or damage to this product or other property.



This product contains non-isolated electrical components. Do not undertake any maintenance operation when it is switched on as it may result in electric shock.



Any maintenance procedure must be performed by a CONTEST authorised technical service. Basic cleaning operations must thoroughly follow our safety instructions.



**CAUTION**  
RISK OF ELECTRIC SHOCK  
DO NOT OPEN



**WARNING** : This unit contains no user-serviceable parts. Do not open the housing or attempt any maintenance by yourself. In the unlikely even your unit may require service, please contact your nearest dealer. In order to avoid any electrical malfunction, please do not use any multi-socket, power cord extension or connecting system without making sure they are perfectly isolated and present no defect.



### Risk of electrocution

To prevent the hazard of electric shocks, do not use extension cords, multi-socket or any other connection system without making sure metal parts completely are out of reach.



### Sound levels

Our audio solutions deliver important sound pressure levels (SPL) that can be harmful to human health when exposed during long periods. Please do not stay in close proximity of operating speakers.



### Recycling your device

- As HITMUSIC is really involved in the environmental cause, we only commercialise clean, ROHS compliant products.
- When this product reaches its end of life, take it to a collection point designated by local authorities. The separate collection and recycling of your product at the time of disposal will help conserve natural resources and ensure that it is recycled in a manner that protects human health and the environment.

## Symbols used



This symbol signals an important safety precaution.



The CAUTION symbol signals a risk of product deterioration.



The WARNING symbol signals a risk to the user's physical integrity. The product may also be damaged.

## Instructions and recommendations

### 1 - Please read carefully :

We strongly recommend to read carefully and understand the safety instructions before attempting to operate this unit.

### 2 - Please keep this manual :

We strongly recommend to keep this manual with the unit for future reference.

### 3 - Operate carefully this product :

We strongly recommend to take into consideration every safety instruction.

### 4 - Follow the instructions:

Please carefully follow each safety instruction to avoid any physical harm or property damage.

### 5 - Avoid water and wet locations :

Do not use this product in rain, or near washbasins or other wet locations.

### 6 - Installation :



We strongly encourage you to only use a fixation system or support recommended by the manufacturer or supplied with this product. Carefully follow the installation instructions and use the adequate tools.

Always ensure this unit is firmly fixed to avoid vibration and slipping while operating as it may result in physical injury.

### 7 - Ceiling or wall installation :

Please contact your local dealer before attempting any ceiling or wall installation.

### 8 - Ventilation :



The cooling vents ensure a safe use of this product, and avoid any overheating risk.

Do not obstruct or cover these vents as it may result in overheating and potential physical injury or product damage. This product should never be operated in a closed non-ventilated area such as a flight case or a rack, unless cooling vents are provided for the purpose .

### 9 - Heat exposure :

Sustained contact or proximity with warm surfaces may cause overheating and product damages. Please keep this product away from any heat source such as a heaters, amplifiers, hot plates, etc...

### 10 - Electric power supply :

This product can only be operated according to a very specific voltage. These information are specified on the label located at the rear of the product.

### 11 - Power cords protection:



Power-supply cords should be routed so that they are not likely to be walked on or pinched by items placed upon or against them, paying particular attention to cords at lugs, convenience receptacles and the point where they exit from the fixture.

### 12 - Cleaning precautions :



Unplug the product before attempting any cleaning operation. This product should be cleaned only with accessories recommended by the manufacturer. Use a damp cloth to clean the surface. Do not wash this product.

### 13 - Long periods of non use :

Disconnect the unit's main power during long periods of non use.

### 14 - Liquids or objects penetration :

Do not let any object penetrate this product as it may result in electric shock or fire.

Never spill any liquid on this product as it may infiltrate the electronic components and result in electric shock or fire.

### 15 - This product should be serviced when :



Please contact the qualified service personnel if :

- The power cord or the plug has been damaged.
- Objects have fallen or liquid has been spilled into the appliance.
- The appliance has been exposed to rain or water.
- The product does not appear to operate normally.
- The product has been damaged.

### 16 - Inspection/maintenance :



Please do not attempt any inspection or maintenance by yourself. Refer all servicing to qualified personnel.

### 17 - Operating environment :



Ambient temperature and humidity: +5 - +35°C, relative humidity must be less than 85% (when cooling vents are not obstructed). Do not operate this product in a non-ventilated, very humid or warm place.

## 2 - Introduction

Thank you for purchasing the CR120A-U1.

- All-in-one solution, can be powered by an electrical outlet or optional batteries
- High performance and sound quality
- Media player and 1 UHF microphone

The CR120A-U1 is a powerful all-in-one sound system producing a high-quality sound output, adapted to any mobile installation.

It features a USB/SD reader, a Bluetooth® receiver, a UHF handheld microphone and a mixer allowing you to plug two extra microphones and an external source. In brief: it is complete, powerful, and easy to use.

But it is also easy to carry, thanks to its built-in trolley and can be equipped with two extra batteries.

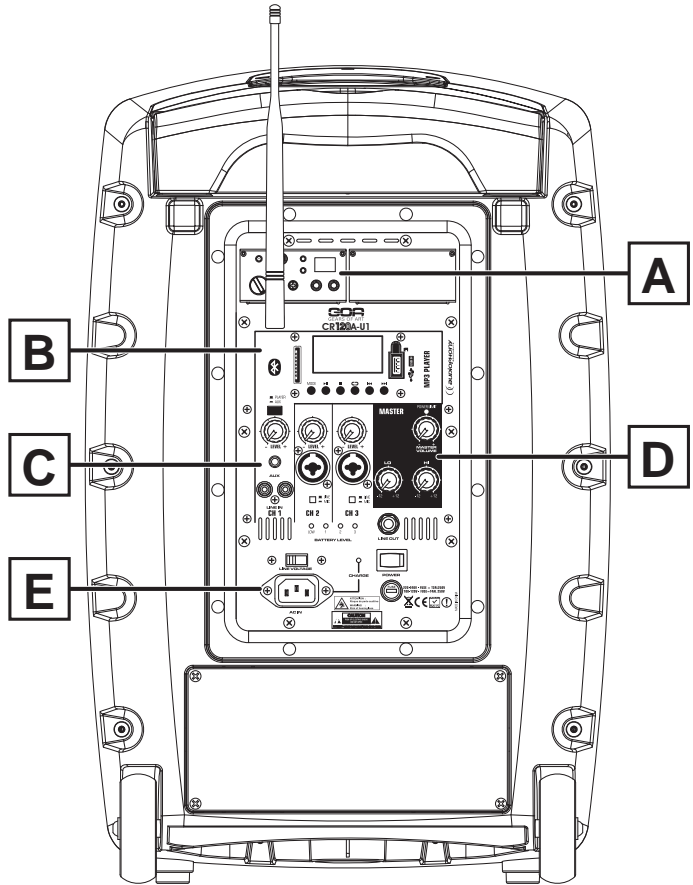
The icing on the cake: its built-in storage compartment has enough room for two mic and remains discreet.

- Optional batteries available
- Supplied with 1 UHF handheld microphone
- A headband microphone is available if you want to keep your hands free

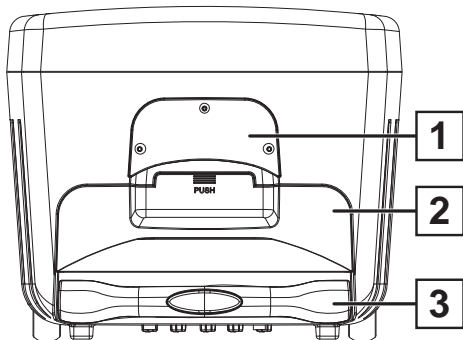
### 3 - The modules

#### Back

- A - UHF receiving module
- B - USB/SD/Bluetooth® module
- C - Mixing zone
- D - Master zone
- E - Power supply socket



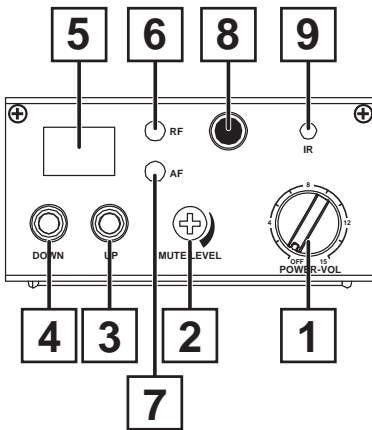
#### Top



- 1 - Integral transport handle
- 2 - Storage compartment for accessories
- 3 - Telescopic transport handle

## 4 -Description of the modules

### 4 - 1 : UHF receiving module



**A1** - Volume control fader for the HF module. From OFF to full power (clockwise).

**A2** - Squelch control fader: allows you to configure the threshold in case of HF signal interruption. The factory settings do not require any modification.

**A3&4** - Canal selection: allow you to browse through the 16 available frequencies.

**A5** - Frequency display.

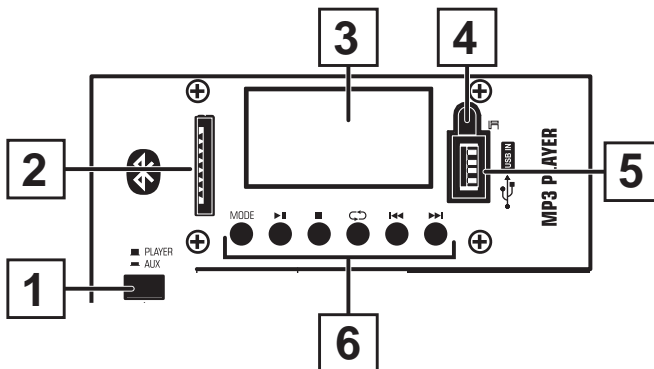
**A6** - Radio Frequency indicator: this indicator is lit in red when the emitting mic is ON.

**A7** - Audio Frequency indicator: this indicator is lit in green when a signal is being received.

**A8** - ASC (Auto Synchro Connection) button: allows you to synchronise a channel between the transmitter and receiver. Select a channel (from 1 - 16), press the ASC button and put the IR (#9) diode of your mic in front of the IR (#9) diode of your receiver.

**A9** - IR diode. Allows you to synchronise your mic with the receiver.

### 4 - 2 : USB/SD/Bluetooth® module



**B1** - Channel 1 input selector. Allows you to decide if the player or the Aux input will be active on channel 1 of the mixer.

**B2** - SD card slot.

**B3** - Reader display.

**B4** - IR diode to receive the remote control commands.

**B5** - USB mass storage socket for USB key.

**B6** - Command panel of the reader:

**MODE:**  
Allows you to switch from USB/SD to the Bluetooth® receiver: the display will indicate «BT NOT LINK», and «connecting» for a few seconds when you switch to Bluetooth® MODE.

#### 1<sup>st</sup> Bluetooth® pairing:

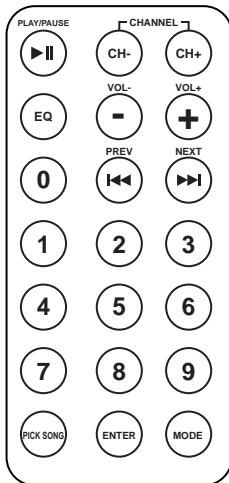
Switch to Bluetooth® mode. The display will indicate «BT NOT LINK», then «connecting...» for a few seconds.

Turn your Bluetooth® source ON and scan for devices.

Select «Bluetooth» in the list, and accept the pairing.

The CR120A-U1 display should indicate the name of the connected device.

### 4 - 3 : Remote control



The infrared remote control of your reader allows you to remotely control some functions for your SD/USB or Bluetooth® sources.

The CH- and CH+ buttons are deactivated with this device.

The «EQ» button allows you to navigate and choose one of the equalizer presets configured for each style, such as: NORmal, POP, ROCK, JAZZ, CLASsical, COUntry, BASs.

The ENTER button allows you to enter the menu:

BT disconnect: To disconnect your Bluetooth® source

EQ: to select the equalizer presets

Delete Paired information: allows you to delete the information of devices already paired with your unit.

Device information: Displays the name and Bluetooth® address of your sound system.

Exit : Leaves the menu.

The navigation uses the PREV and NEXT button to choose a menu, PLAY/PAUSE to confirm your choice.

### 4 - 4 : Mixer

**C1** - Channel 1 input selector. Allows you to decide if the player or the Aux input will be active on channel 1 of the mixer.

**C2** - CH1 volume control fader. From minimum to maximum (clockwise). These settings either affect the USB/SD/ Bluetooth® reader, the AUX or LINE IN inputs.

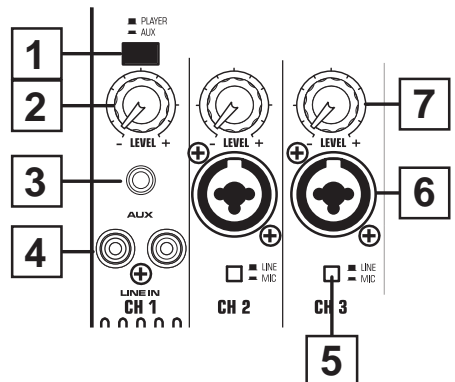
**C3** - Line level AUX input via Stereo Jack 3.5.

**C4** - LINE IN input via RCA.

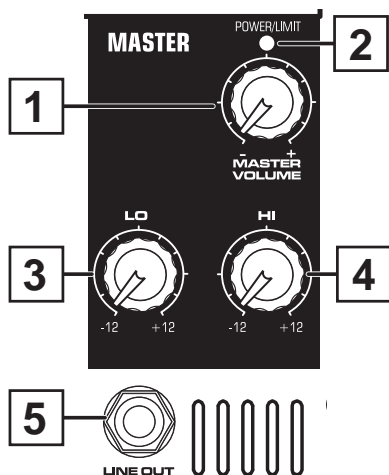
**C5** - LINE / MIC input selector.

**B6** - Combo XLR / Jack 6.35 socket. Allows you to plug an instrument or microphone.

**B7** - Channel volume control fader. From minimum to maximum (clockwise).



### 4 - 5 : Master



**D1** - MASTER volume control fader.

From minimum to maximum (clockwise). This fader affects the main volume output.

**D2** - POWER/LIMIT indicator. Indicates if the sound system is ON and the limiter activated.

**D3** - Bass control fader.

From -12 dB to +12dB (clockwise). This fader affects the master volume output.

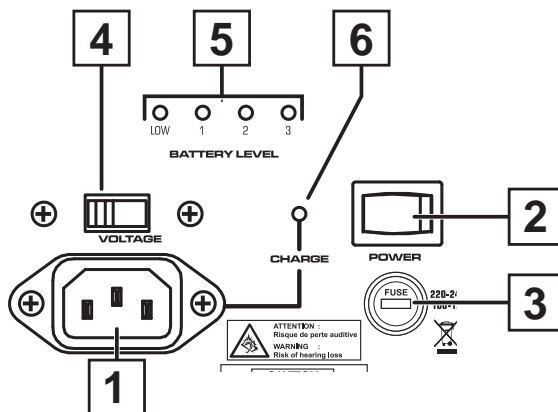
**D4** - Treble control fader.

From -12 dB to +12dB (clockwise). This fader affects the master volume output.

**D5** - LINE OUT output carrying the line-level main signal of each channel via stereo Jack 6.35.

Allows you to connect another amplified system.

### 4 - 6 : Power supply



**E1** - Power plug.

Allows you to connect your sound system to an electrical outlet and recharge its batteries and/or turn it ON.

**E2** - ON/OFF switch.

**E3** - Fuse holder.

Please make sure to replace the fuse only with the exact same model. Fuse: T1,6AL 250V

**E4** - Input voltage selector. Allows you to switch from 100-120V AC to 220-240V AC.

Please check the line voltage of your installation before plugging the CR120A-U1.



**Note :** The E5 and E6 functions are only available if you have equipped your CR120A-U1 with two optional batteries.

**E5** - Charge level indicator (optional batteries).  
The batteries must be charged when the LOW indicator is lit.

**E6** - Charge level indicator (optional batteries).  
Is lit in green when the batteries are charging.



**Note about batteries** (optional) :

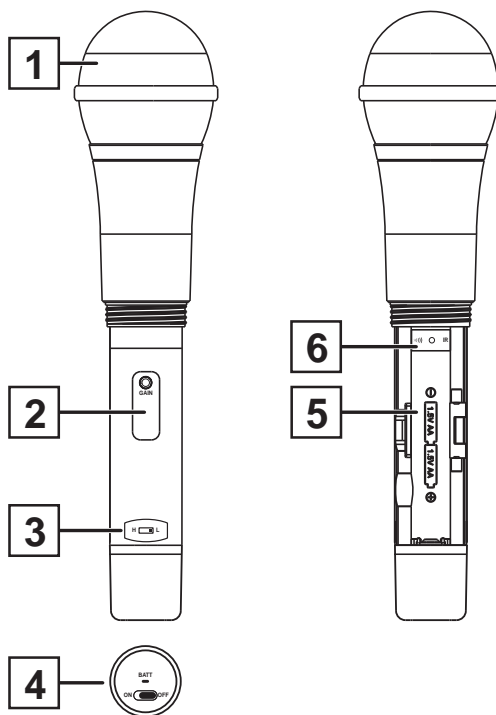
Please only use 12V / 5Ah NP batteries with the following dimensions:  
(width x height x depth): 90x100x70 mm.

Use a product with the same characteristics if you have to change the batteries.  
New batteries should be charged before being used. The CR120A-U1 has been designed to charge two batteries at the same time.

Please turn off the unit during periods of non-use in order to preserve the batteries.  
The batteries can be severely damaged if they are fully discharged because the unit remained turned ON.

Moreover, the batteries must be charged regularly to prevent them from drying.  
We strongly advise you to charge the batteries at least once every three months.  
These batteries are wearing parts and thus cannot be covered by the guarantee.

## 4 - 7 : Handheld microphone



1 - Grille: Protects the capsule.

2 - Gain control: Allows you to configure the microphone sensitivity. The factory settings are optimal, but you can increase/decrease the sensitivity by turning it to the left (decreases) or right (increases).

3 - Radio frequency output level selector. H for a strong signal, L for a lower signal. Allows you to increase the range of your microphone.

4 - Battery level indicator and ON/OFF power switch.

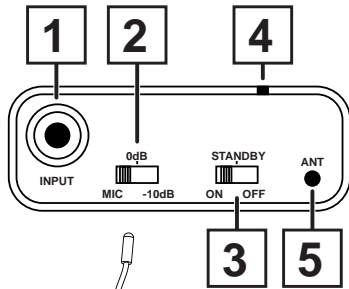
The indicator flashes in red when the batteries are discharged.

The indicator flashes in red when the ASC function is activated.

5 - Batteries compartment: LR06 x 2. Please make sure you keep the same polarities if need to replace the batteries.

6 - Synchronisation IR diode. The ASC (Auto Synchro Connection) function allows you to synchronise a chosen channel between the transmitting microphone and the receiver via InfraRed transmission.

To do so, select a channel (from 1-16) on the receiver. Press the ASC button and put the IR diode of your microphone in front of the IR diode (#9) of the receiver.

**4 - 8 : Optional headband transmitter system:**

1 - Jack 3.5 input to connect the microphone

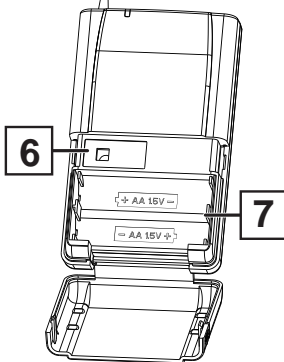
2 - Input level selector. MIC is the standard configuration for the headband microphone. You can switch to the 0dB or -10dB positions if you want to use another type of microphone.

3 - ON/STANDBY/OFF power switch. The middle position allows you to cut the microphone without interrupting the HF signal.

4 - Battery level indicator.

The indicator flashes in red when the batteries are discharged. The indicator flashes in red when the ASC function is activated.

5 - Flexible antenna.



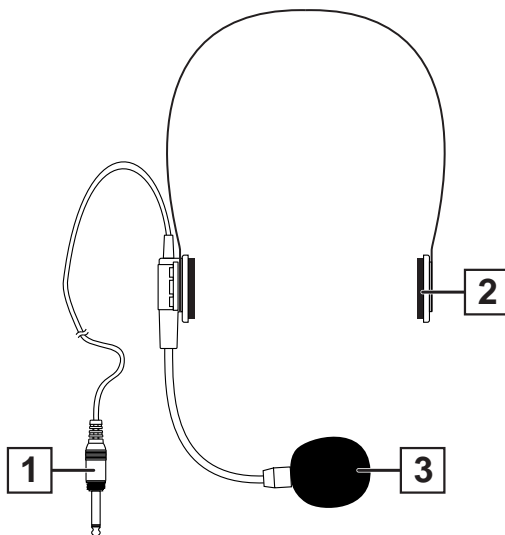
6 - Synchronisation IR diode. The ASC (Auto Synchro Connection) function allows you to synchronise a chosen channel between the transmitting microphone and the receiver via InfraRed transmission.

To do so, select a channel (from 1-16) on the receiver. Press the ASC button and put the IR diode of your microphone in front of the IR diode (#9) of the receive

7 - Batteries compartment: LR06 x 2. Please make sure you keep the same polarities if need to replace the batteries.

**Note about the optional microphone:**

Your CR120A-U1 features a single UHF receiver. That means you cannot use two microphones simultaneously, and will have to choose between the handheld and headband microphones.



1 - Connector to plug the bodypack transmitter. Plug the headband microphone into the Jack #1 socket of the transmitter.

2 - Headband. Set the mic position in order for the capsule to be slightly below your mouth.

3 - Capsule. Transforms the sound pressure into a signal.

## 7 - Power management



### 7 - 1 : Safety precautions concerning the optional batteries

- 1 - This unit can be equipped with two 12V / 5 Ah optional batteries for an average autonomy of 6 hours.
- 2 - The complete charging process approximately lasts 8 hours.
- 3 - The built-in power management system indicates if the batteries need to be charged.
- 4 - If the batteries level gets too low, the «**LOW**» will turn on. Connect your CR120A-U1 to an electrical outlet or replace the batteries.
- 5 - Used batteries should be taken to a collection point designated by local authorities. Do not dispose of them in the environment.
- 6 - Always turn off your system if you are not using it in order to preserve the batteries.
- 7 - We strongly recommend to remove the batteries from the unit during long periods of non-use, to prevent them from drying and becoming unusable.
- 8 - The batteries should be charged regularly to prevent them from drying and becoming unusable. We advise you to charge the batteries at least once every three months.
- 9 - These batteries are wearing parts and thus cannot be covered by the guarantee.

## 8 - Technical specifications

Loudspeaker	10" loudspeaker + 1" titanium driver, total impedance: 4 Ohms
Power	120W RMS / 240 max Class D amplifier
Response curve	55 - 20k Hz
Sound pressure level	118 dB SPL max
HF microphone	UHF Diversity with 16 frequencies Handheld cardioid-dynamic microphone
Frequency range	UHF 863-865 Mhz - 10 mW
Reader	Built-in USB key / SD card reader and Bluetooth® receiver Supplied with an infrared remote control
Bluetooth®	The player features a Bluetooth® receiver Type V2.0 AVRCP, with an excellent, close-to-digital audio transmission
Finish	Polypropylene housing, metal mesh grill. C36 mounting plate for speaker stands
Dimensions (in mm)	500 x 340 x 300
Net weight (incl. batteries)	17.3 kg

### Optional batteries:

Batteries	2x 12V / 5Ah Lead Acid dimensions (width x height x depth): 90x100x70 mm.
Autonomy	6 hours depending on the volume
Charging time	8 hours to recharge the two 12V batteries
Power management	LED display to indicate the charge level. Charge it and use it at the same time. Automatic shutdown if the battery level is too low.

Because AUDIOPHONY® takes the utmost care in its products to make sure you only get the best possible quality, our products are subjects to modifications without prior notice. That is why technical specifications and the products physical configuration might differ from the illustrations.

Make sure you get the latest news and updates about the AUDIOPHONY® products on [www.audiophony.com](http://www.audiophony.com)  
AUDIOPHONY® is a trademark of HITMUSIC S.A. - Zone Cahors sud - 46230 FONTANES - FRANCE