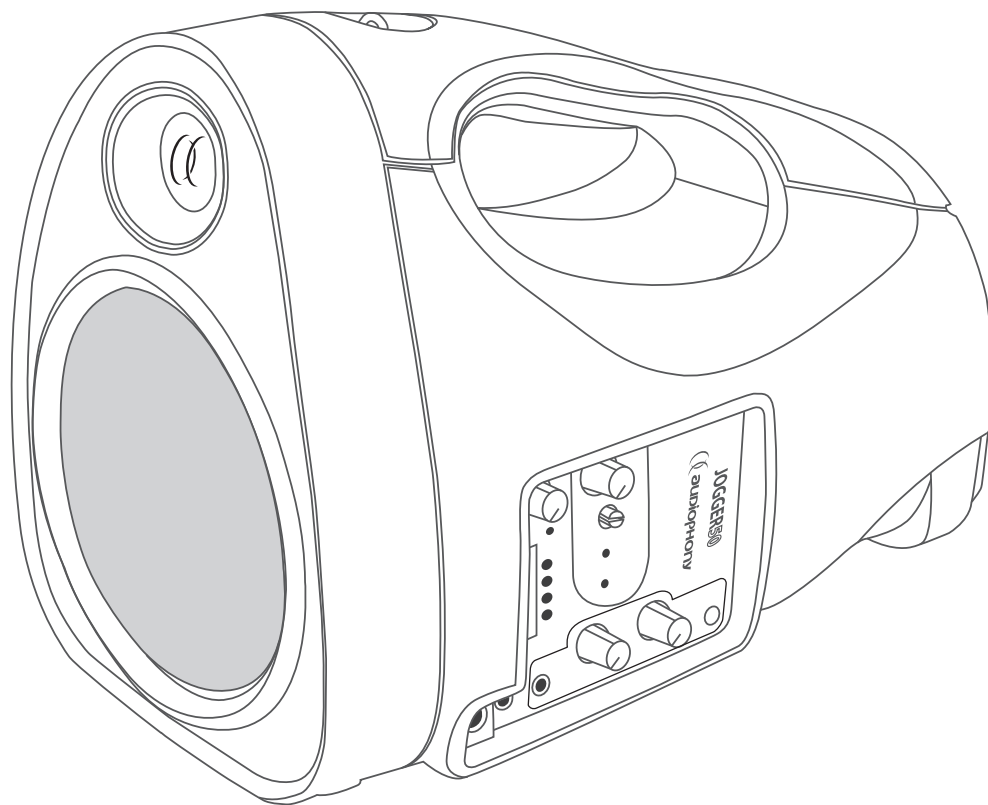


**BATTERY-OPERATED SOUND SYSTEM WITH USB PLAYER AND UHF
MICROPHONES**



JOGGER50

USER GUIDE

9587 - December 2009 Version 1.0

1 - Safety information

Important safety information



This unit is intended for indoor use only. Do not use it in a wet, or extremely cold/hot locations. Failure to follow these safety instructions could result in fire, electric shock, injury, or damage to this product or other property.



This product contains non-isolated electrical components. Do not undertake any maintenance operation when it is switched on as it may result in electric shock.



Any maintenance procedure must be performed by a CONTEST authorised technical service. Basic cleaning operations must thoroughly follow our safety instructions.



CAUTION
RISK OF ELECTRIC SHOCK
DO NOT OPEN



WARNING : This unit contains no user-serviceable parts. Do not open the housing or attempt any maintenance by yourself. In the unlikely even your unit may require service, please contact your nearest dealer. In order to avoid any electrical malfunction, please do not use any multi-socket, power cord extension or connecting system without making sure they are perfectly isolated and present no defect.



Risk of electrocution

To prevent the hazard of electric shocks, do not use extension cords, multi-socket or any other connection system without making sure metal parts completely are out of reach.



Sound levels

Our audio solutions deliver important sound pressure levels (SPL) that can be harmful to human health when exposed during long periods. Please do not stay in close proximity of operating speakers.



Recycling your device

- As HITMUSIC is really involved in the environmental cause, we only commercialise clean, ROHS compliant products.
- When this product reaches its end of life, take it to a collection point designated by local authorities. The separate collection and recycling of your product at the time of disposal will help conserve natural resources and ensure that it is recycled in a manner that protects human health and the environment.

Symbols used



This symbol signals an important safety precaution.



The CAUTION symbol signals a risk of product deterioration.



The WARNING symbol signals a risk to the user's physical integrity. The product may also be damaged.

Instructions and recommendations

1 - Please read carefully :

We strongly recommend to read carefully and understand the safety instructions before attempting to operate this unit.

2 - Please keep this manual :

We strongly recommend to keep this manual with the unit for future reference.

3 - Operate carefully this product :

We strongly recommend to take into consideration every safety instruction.

4 - Follow the instructions:

Please carefully follow each safety instruction to avoid any physical harm or property damage.

5 - Avoid water and wet locations :

Do not use this product in rain, or near washbasins or other wet locations.

6 - Installation :



We strongly encourage you to only use a fixation system or support recommended by the manufacturer or supplied with this product. Carefully follow the installation instructions and use the adequate tools.

Always ensure this unit is firmly fixed to avoid vibration and slipping while operating as it may result in physical injury.

7 - Ceiling or wall installation :

Please contact your local dealer before attempting any ceiling or wall installation.

8 - Ventilation :



The cooling vents ensure a safe use of this product, and avoid any overheating risk.

Do not obstruct or cover these vents as it may result in overheating and potential physical injury or product damage. This product should never be operated in a closed non-ventilated area such as a flight case or a rack, unless cooling vents are provided for the purpose .

9 - Heat exposure :

Sustained contact or proximity with warm surfaces may cause overheating and product damages. Please keep this product away from any heat source such as a heaters, amplifiers, hot plates, etc...

10 - Electric power supply :

This product can only be operated according to a very specific voltage. These information are specified on the label located at the rear of the product.

11 - Power cords protection:



Power-supply cords should be routed so that they are not likely to be walked on or pinched by items placed upon or against them, paying particular attention to cords at lugs, convenience receptacles and the point where they exit from the fixture.

12 - Cleaning precautions :



Unplug the product before attempting any cleaning operation. This product should be cleaned only with accessories recommended by the manufacturer. Use a damp cloth to clean the surface. Do not wash this product.

13 - Long periods of non use :

Disconnect the unit's main power during long periods of non use.

14 - Liquids or objects penetration :

Do not let any object penetrate this product as it may result in electric shock or fire.

Never spill any liquid on this product as it may infiltrate the electronic components and result in electric shock or fire.

15 - This product should be serviced when :

Please contact the qualified service personnel if :



- The power cord or the plug has been damaged.
- Objects have fallen or liquid has been spilled into the appliance.
- The appliance has been exposed to rain or water.
- The product does not appear to operate normally.
- The product has been damaged.

16 - Inspection/maintenance :



Please do not attempt any inspection or maintenance by yourself. Refer all servicing to qualified personnel.

17 - Operating environment :



Ambient temperature and humidity: +5 - +35°C, relative humidity must be less than 85% (when cooling vents are not obstructed).

Do not operate this product in a non-ventilated, very humid or warm place.

2 - Introduction

Thank you for purchasing the JOGGER50.

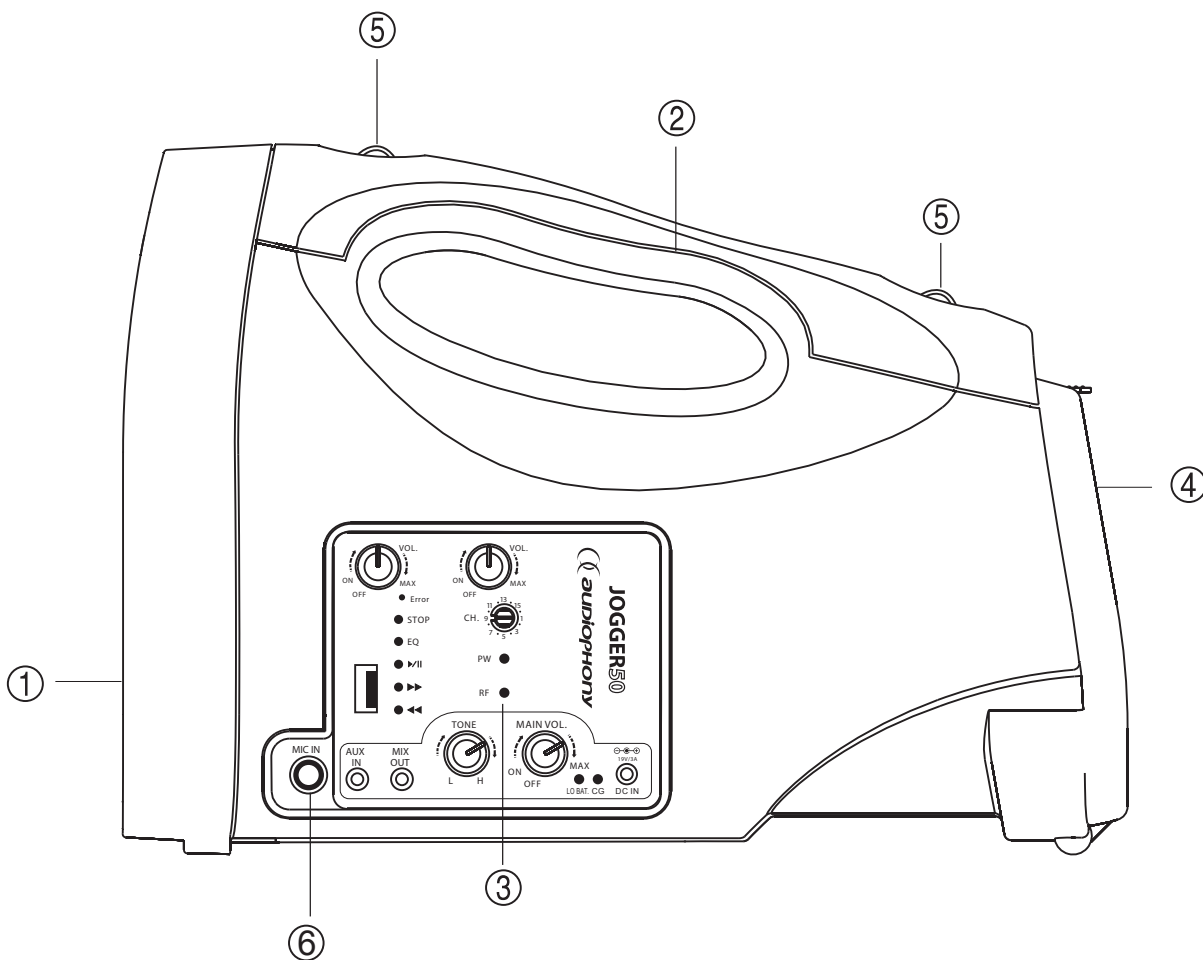
The JOGGER50 is a battery-operated amplified sound system producing 45 W RMS. It features a speaker with a built-in amplification module, a USB reader compatible with MP3 files, a handheld UHF microphone and its protective cover.

When ergonomics is a crucial factor, its very light weight, excellent sound rendering and battery life will meet your every need.

This user guide will allow you to understand and use all the functions of the JOGGER50.

Please keep it within reach during the first uses in order to get familiar with the unit.

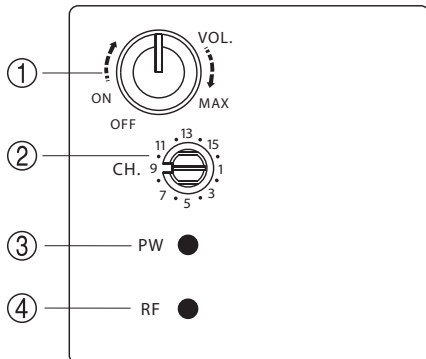
3 - Overview



- 1 - Façade including a protection grille and a loudspeaker
- 2 - Transport handle
- 3 - Control panel
- 4 - Battery access panel
- 5 - Outer loop for shoulder strap
- 6 - Jack 6.35mm input for microphone

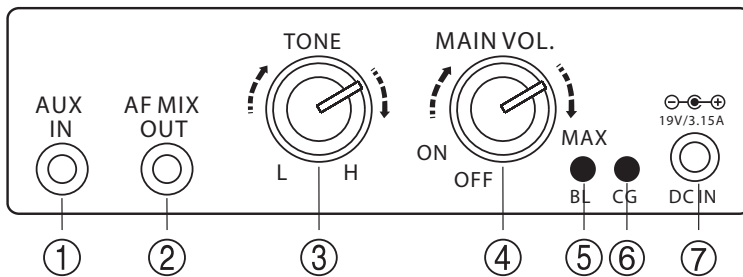
4 - Description

4 - A : UHF receiver module



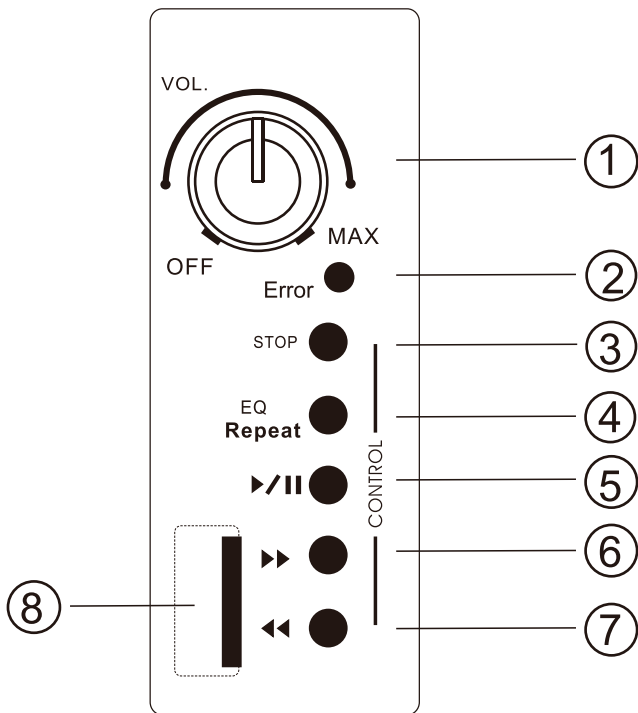
- 1 - Volume control fader. Clockwise: from minimum to maximum.
- 2 - Channel selector, position it on the same channel as the transmitter.
- 3 - ON/OFF indicator: indicates if the module is active.
- 4 - Radio Frequency indicator: Indicates if the transmitter of the microphone is activated. This indicator flashes when the microphone is ON.

4 - B : Master



- 1 - Line-level external input via Jack 3.5.
- 2 - Line output: allows you to retrieve the sound signal of the JOGGER50 (including the HF and wired mic and the USB reader).
- 3 - Tone control fader. From Low to High clockwise.
- 4 - Main volume control fader. From minimum to maximum clockwise.
- 5 - ON/OFF indicator.
- 6 - Battery charge level indicator.
- 7 - Input for external adapter 19V DC 3.15A.

4 - C : USB reader



1 - Volume control fader. From OFF to MAX.

2 - Reader status indicator. The indicator flashes if an error occur while playing audio files. The indicator remains lit if everything goes well.

3 - STOP Button. Allows you to pause the current action.

4 - EQ/REPEAT Button. Allows you to select one of the two modes:

- EQ: To choose one of the preset equalization mode : Normal / Jazz / Pop / Classic / Rock

-REPEAT: Press and hold for 3 seconds to repeat a track, press again to repeat all tracks.

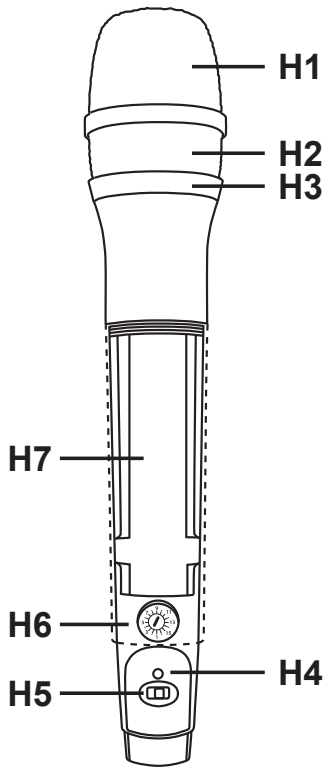
5 - PLAY/ PAUSE Button. Allows you to start/pause a track.

6 - FORWARD Button. If held down: allows you to browse through a track. Short pressure: allows you to skip to the next track.

7 - BACKWARD Button. If held down: allows you to browse through a track. Short pressure: allows you to skip to the previous track.

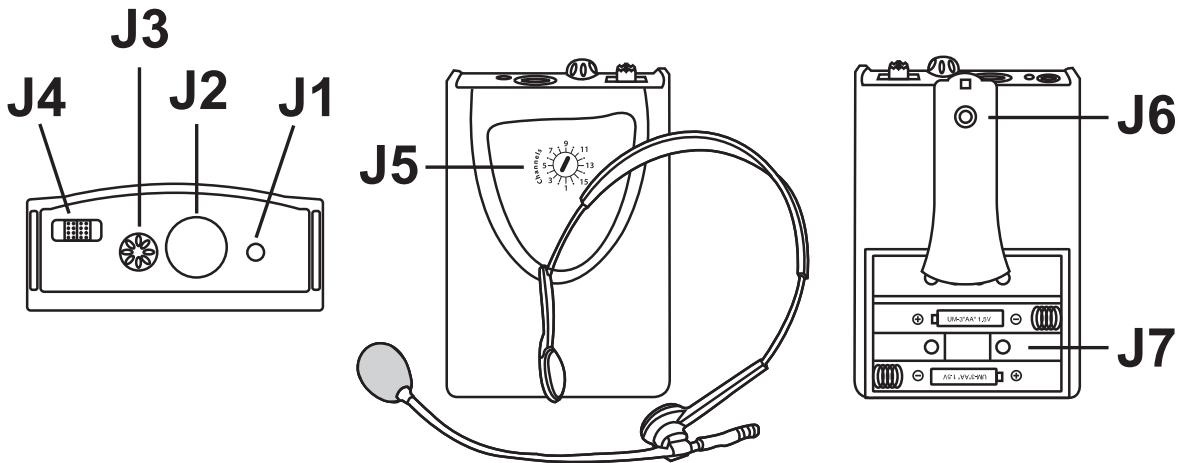
8 - USB port. Allows you to connect all kind of storage devices: USB keys, hard drives, etc.

4 - H : UHF handheld microphone



- 1 - Grille : Protects the capsule.
- 2 - Capsule: converts the sound pressure into a signal.
- 3 - Lockring.
- 4 - Battery charge level indicator.
Flashes then stays lit when the batteries are empty.
- 5 - ON/OFF power switch
- 6 - Channel selector, position it on the same channel as the receiver.
- 7 - Compartment for 2 LR06 batteries. Please make sure to keep the same polarities during battery changes.

4 - J - : UHF headband microphone and transmitter (Optional)



- 1 - Battery charge level indicator. Flashes then stays lit when the batteries are empty.
- 2 - Mini XLR socket to connect the microphone.
- 3 - Volume control fader. From low to high (clockwise).
- 4 - ON/OFF power switch.
- 5 - Channel selector, position it on the same channel as the receiver.
- 6 - Belt clip.
- 7 - Battery compartment. Please make sure to keep the same polarities during battery changes (type LR06 1.5V).

Note : The headband microphone can be bought as a stand-alone product but only one UHF microphone can be operated with the JOGGER50. It features a single receiver, meaning you cannot use two microphones simultaneously.

5 - Power management

Power management indicators:

1 - BL indicator: Battery level indicator. This red indicator flashes when the battery needs to be charged.

This red indicator stays lit when the battery is charged enough.

2 - CG indicator: Indicates the charging status. This green indicator flashes during the charging process.

This green indicator remains lit when the charging process is complete.

3 - DC input: allows you to connect an external power supply unit in direct current (19V 3.15A). Please keep the same polarity (+ in the middle).

Note about the battery:

Please use the original battery. If need to replace the battery, use a model with the same characteristics.

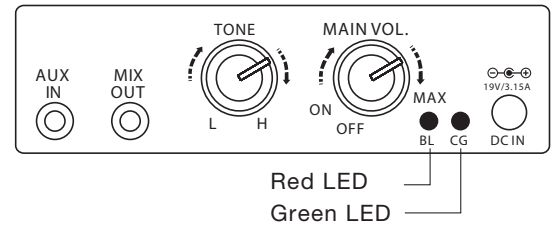
Please charge the battery before using it for the first time. The JOGGER50 is designed to charge one battery at a time.

In order to preserve the battery, turn the device off when you are not using it.

The battery can be severely damaged if it is totally emptied by an inactive system.

Moreover, the battery must be regularly recharged to prevent it from drying.

The battery is considered a wearing part and is not covered by the warranty.



6 - Replacing the battery

1 - Turn off your JOGGER50.

2 - Open the rear access hatch as described on Figure 1.

3 - Remove the used battery by pulling the strip.

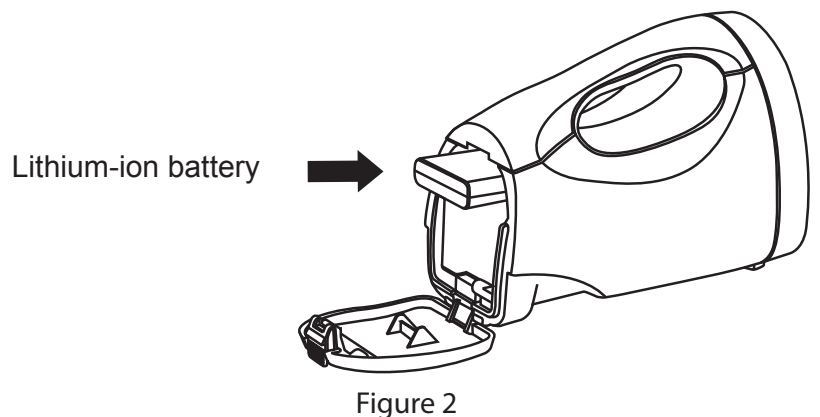
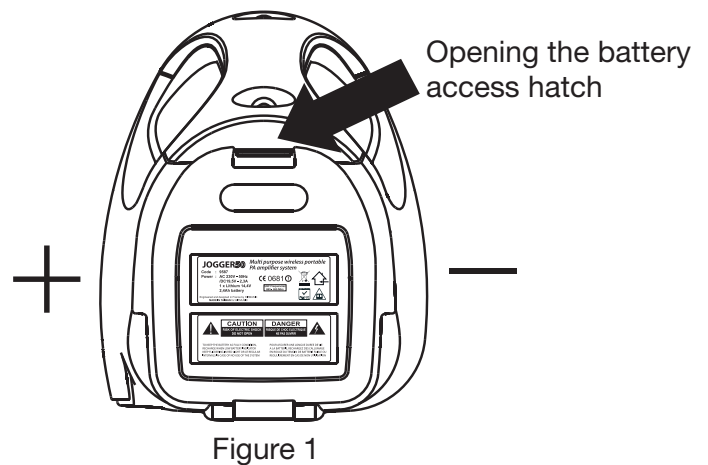
4 - Install the new battery in its compartment as described on Figure 2.

5 - Make sure the battery is in position and close the hatch.

Notes:

- Caution: Please make sure to position the battery properly, as described on Figure 1, as your device can be damaged by an improper positioning.

- A new battery must be fully recharged before being used. The green indicator flashes during the charging process and remains lit once the battery is fully charged.



7 - Safety precautions when using the battery

- 1 - This device features a 14.4 V / 2.6 Ah Lithium-ion battery allowing an average battery life of 4 hours.
- 2 - The complete charging process duration is approximately 2 hours.
- 3 - A built-in power management system indicates if the battery needs to be charged.
- 4 - If the «BL» red indicator flashes, please plug your JOGGER50 to an electrical outlet or replace the battery.
- 5 - Used batteries must be taken care of properly. Do not dispose of them in the environment.
- 6 - In order to preserve the battery, please completely turn off your device when not using it.
- 7 - We strongly recommend to remove the battery during long periods of non-use.
- 8 - The battery must be charged regularly to prevent it from drying and becoming unusable.
- 9 - The battery is considered as wearing part and is not covered by the warranty.

8 - Technical specifications

Loudspeaker	5" (13cm) broadband louspeaker
Power	50W class D amplifier
UHF Mic	UHF with 16 frequencies
Frequency range	UHF 823-832 and 863-865 Mhz Channel list: 1. 823.125 MHz 2. 823.875 MHz 3. 824.825 MHz 4. 825.500 MHz 5. 826.225 MHz 6. 827.075 MHz 7. 827.700 MHz 8. 828.725 MHz 9. 829.500 MHz 10. 864.175 MHz 11. 830.275 MHz 12. 864.425 MHz 13. 831.150 MHz 14. 864.675 MHz 15. 831.825 MHz 16. 864.925 MHz
Reader	USB reader (key/HDD)
Autonomy	approximately 4 hours
Recharge time	2 hours
Batteries	Lithium 14.4V / 2.6Ah
Power management	Visualise the charge level via LED display. Charge it and use it simultaneously. Automatic shutdown in case of low battery level.
Settings	USB volume, mic volume, main volume, tone settings
Accessories	Supplied with messenger bag and shoulder strap
Finish	Polypropylene speaker, steel grille. 3/8" microphone mounting plate.
Dimensions in mm	290 x 160 x 210
Net weight including batteries	2.2 kg

9 - Accessories and spare parts



LT2600

260mA Lithium-ion battery for JOGGER50.
The extra battery is perfect for extensive uses of the JOGGER50.



LTPOW

260mA Lithium-ion battery charger for JOGGER50.
This extra charger allows you to charge your battery independently from the JOGGER50.



JOG5-30

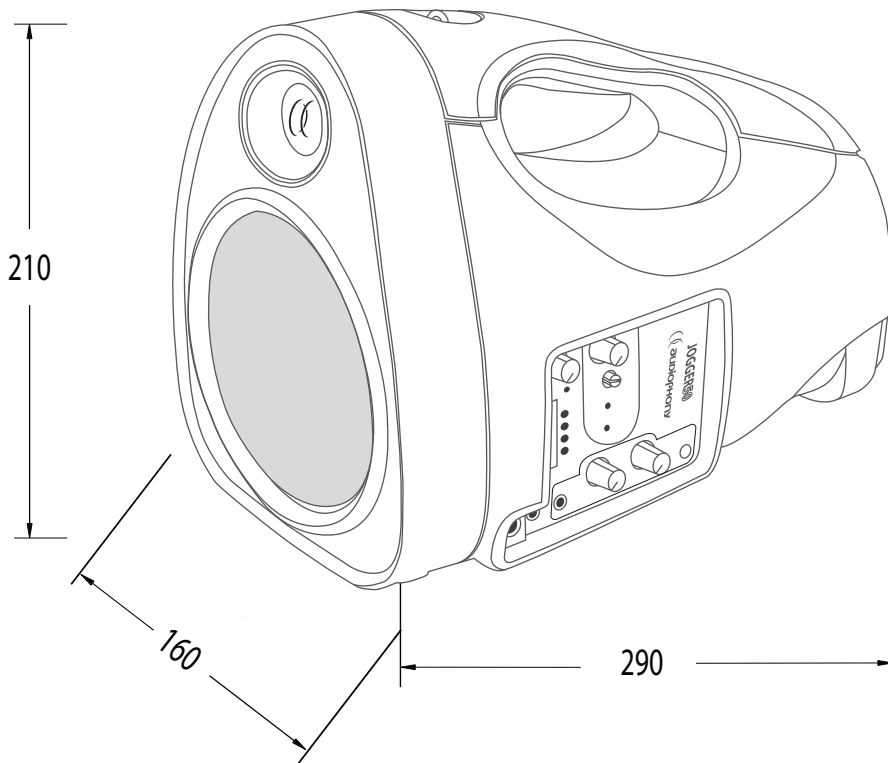
Loudspeaker:
30 W - 4 Ω



Messenger bag

The JOGGER50 is supplied with a complete messenger bag to transport and protect it.

10 - Dimensions



Because AUDIOPHONY® takes the utmost care in its products to make sure you only get the best possible quality, our products are subjects to modifications without prior notice. That is why technical specifications and the products physical configuration might differ from the illustrations.

Make sure you get the latest news and updates about the AUDIOPHONY® products on www.audiophony.com
AUDIOPHONY® is a trademark of HITMUSIC S.A. - Zone Cahors sud - 46230 FONTANES - FRANCE