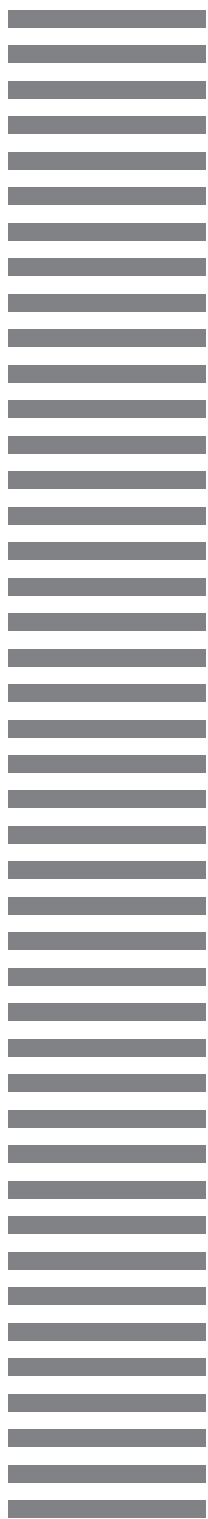
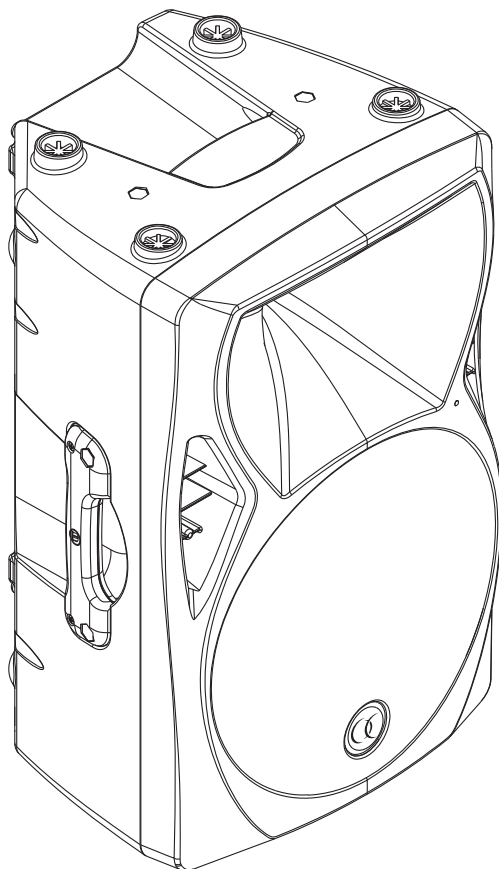


12/15 inches 2-way amplified speakers with bass reflex



GOA
GEARS OF ART

audiophony
EQUIPMENTS



SX12A
SX15A

USER GUIDE

10777 / 10778 - Version 1.0 / 2018-03

1 - Safety information

Important safety information



This product contains non-isolated electrical components. Do not undertake any maintenance operation when it is switched on as it may result in electric shock.



This unit is intended for indoor use only. Do not use it in a wet, or extremely cold/hot locations. Failure to follow these safety instructions could result in fire, electric shock, injury, or damage to this product or other property.



Any maintenance procedure must be performed by a CONTEST authorised technical service. Basic cleaning operations must thoroughly follow our safety instructions.

Symbols used



This symbol signals an important safety precaution.



The CAUTION symbol signals a risk of product deterioration.



The WARNING symbol signals a risk to the user's physical integrity. The product may also be damaged.

Instructions and recommendations

1 - Please read carefully :

We strongly recommend to read carefully and understand the safety instructions before attempting to operate this unit.

2 - Please keep this manual :

We strongly recommend to keep this manual with the unit for future reference.

3 - Operate carefully this product :

We strongly recommend to take into consideration every safety instruction.

4 - Follow the instructions:

Please carefully follow each safety instruction to avoid any physical harm or property damage.

5 - Avoid water and wet locations :

Do not use this product in rain, or near washbasins or other wet locations.

6 - Installation :

We strongly encourage you to only use a fixation system or support recommended by the manufacturer or supplied with this product. Carefully follow the installation instructions and use the adequate tools.

Always ensure this unit is firmly fixed to avoid vibration and slipping while operating as it may result in physical injury.

7 - Ceiling or wall installation :

Please contact your local dealer before attempting any ceiling or wall installation.

8 - Ventilation :

The cooling vents ensure a safe use of this product, and avoid any overheating risk. Do not obstruct or cover these vents as it may result in overheating and potential physical injury or product damage. This product should never be operated in a closed non-ventilated area such as a flight case or a rack, unless cooling vents are provided for the purpose.

9 - Heat exposure :

Sustained contact or proximity with warm surfaces may cause overheating and product damages. Please keep this product away from any heat source such as a heaters, amplifiers, hot plates, etc...

CAUTION

RISK OF ELECTRIC SHOCK

DO NOT OPEN

WARNING : This unit contains no user-serviceable parts. Do not open the housing or attempt any maintenance by yourself. In the unlikely even your unit may require service, please contact your nearest dealer.
In order to avoid any electrical malfunction, please do not use any multi-socket, power cord extension or connecting system without making sure they are perfectly isolated and present no defect.

Sound levels

Our audio solutions deliver important sound pressure levels (SPL) that can be harmful to human health when exposed during long periods. Please do not stay in close proximity of operating speakers.

Recycling your device

- As HITMUSIC is really involved in the environmental cause, we only commercialise clean, ROHS compliant products.
- When this product reaches its end of life, take it to a collection point designated by local authorities. The separate collection and recycling of your product at the time of disposal will help conserve natural resources and ensure that it is recycled in a manner that protects human health and the environment.

10 - Electric power supply :

This product can only be operated according to a very specific voltage. These information are specified on the label located at the rear of the product.

11 - Power cords protection:

Power-supply cords should be routed so that they are not likely to be walked on or pinched by items placed upon or against them, paying particular attention to cords at lugs, convenience receptacles and the point where they exit from the fixture.

12 - Cleaning precautions :

Unplug the product before attempting any cleaning operation. This product should be cleaned only with accessories recommended by the manufacturer. Use a damp cloth to clean the surface. Do not wash this product.

13 - Long periods of non use :

Disconnect the unit's main power during long periods of non use.

14 - Liquids or objects penetration :

Do not let any object penetrate this product as it may result in electric shock or fire. Never spill any liquid on this product as it may infiltrate the electronic components and result in electric shock or fire.

15 - This product should be serviced when :

- Please contact the qualified service personnel if :
- The power cord or the plug has been damaged.
 - Objects have fallen or liquid has been spilled into the appliance.
 - The appliance has been exposed to rain or water.
 - The product does not appear to operate normally.
 - The product has been damaged.

16 - Inspection/maintenance :

Please do not attempt any inspection or maintenance by yourself. Refer all servicing to qualified personnel.

17 - Operating environment :

Ambient temperature and humidity: +5 - +35°C, relative humidity must be less than 85% (when cooling vents are not obstructed). Do not operate this product in a non-ventilated, very humid or warm place.

2 - Introduction

The SX12A and SX15A speakers are the ideal solutions for live performances.

They deliver an astonishing power of 300W. This powerful output is perfectly clear, warm and deep, adapted to vocal, live or recorded sessions.

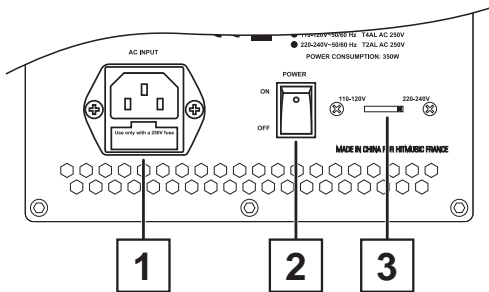
They are easy to install, light and compact: that's the best you can find for nomad installations without any compromise on quality, power or possibilities.

3 - Specifications

	SX12A	SX15A
Bi-amp	250W RMS Class D for LF 50W RMS Class AB for HF	250W RMS Class D for LF 50W RMS Class AB for HF
Total	300W RMS / 1000W dynamic	300W RMS / 1000W dynamic
Frequency response	65 Hz - 19 KHz	62 Hz - 19 KHz
Power supply	SMPS - AC-220/204V or AC 110/120V , 50/60Hz	
Dispersion H x V	90° Horizontally / 60° Vertically	
Crossover	2,5 KHz	
SPL	123 dB max.	124 dB max.
Woofers	12" 2" voice coil 4 Ohms - 250W AES	15" 2" voice coil 4 Ohms - 250W AES
Tweeter	1,35" driver 8 Ohms 50 W RMS	
Inputs	1 COMBO XLR/JACK MIC/LINE input 1 RCA line input	
Output	1 XLR line output	
Controls	Main volume control Contour switch Earth connecting switch	
Protection	Short-circuit, thermal and limiter	
Enclosure Construction	2 monitor-specific angles 1 top handle and 2 side handles 2 M10 rigging points (below) 2 M10 rigging points (on top) 36mm mounting plate for a speaker stand	
Size	606 x 380 x 342 mm	631 x 386 x 372 mm
Net weight	13.2 Kg	14.5 Kg

4 - Presentation

Amplifier module



1 Power input socket

Allows you to connect the speaker to an electrical outlet. Use the supplied IEC cord, and make sure the voltage delivered by the outlet is in adequation with the value indicated by the voltage selector before turning on the built-in amplifier.

Fuse

Protects the power supply module and the built-in amplifier.

If need to replace the fuse, please make sure the new fuse has exactly the same characteristics.

2 Power switch

Allows you to turn ON/OFF the built-in amplifier.

3 Voltage selector

Allows you to adapt the voltage of the amplifier to the voltage of the electrical outlet.

4 XLR LINE OUT socket

Allows you to retrieve the sum of each incoming signal and transmit it to another amplified speaker, mixing desk, or speaker/amplifier system.

5 Line input on RCA plug

Connects a stereo line level device.

6 MIC/LINE input via COMBO plug

The COMBO plug allows you to connect either a male XLR plug or male stereo/mono Jack plug.

7 LINE/MIC Selector

Allows you to adapt the impedance of the socket to the type of signal detected.

When pressed, the entry level is adapted to a microphone, when released it is adapted to a line level signal.

8 Volume fader

Configures the input level.

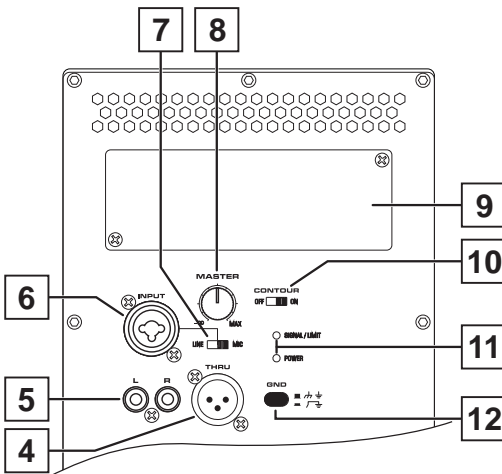
Please make sure the CLIP LED is not lit for long periods to ensure an optimal sound quality.

9 Optional Bluetooth module slot

An optional Bluetooth module (SX-BT) is available for sale. It allows you to connect all kinds of audio media with Bluetooth.

10 CONTOUR selector switch

The CONTOUR function provides a more natural sound when listening at high volume.



11 Indicator LEDs

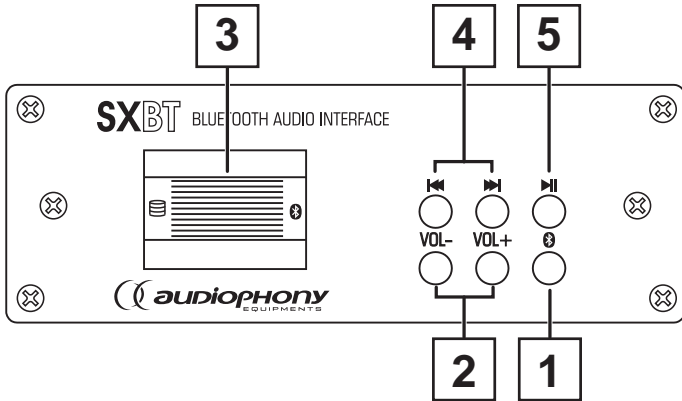
-**POWER** : Indicates the amplification module is ON.
 -**SIGNAL / LIMIT** : Indicates an incoming signal has been detected. It also Indicates the incoming signal exceeds 0 dB. In this case, please use the volume control faders to make sure this LED only lits occasionally to prevent any damage to the speaker and an optimal sound quality.





12 Earthing system button

Allows you to connect/disconnect the ground to the earth.
 If buzzing or humming noises occur, they might be caused by spurious signals transmitted by the earthing system.
 In this case, please disconnect it (button released).

5 - Optional Bluetooth module



1 Bluetooth Button

This button allows:
 - Powering up the module.
 - Bluetooth pairing.
 To do so, press and hold this button for more than 3 seconds until the displays  and  flashes alternately. Access your device's Bluetooth settings and accept the connection
 The password is 1234.

2 VOL- et VOL+ buttons

Adjust the output level of the module.

3 Display

Displays power-up, Bluetooth pairing and connection status.

4 Left and Right buttons

Allows you to move through the file tree of your Bluetooth device.

5 Play/Pause button

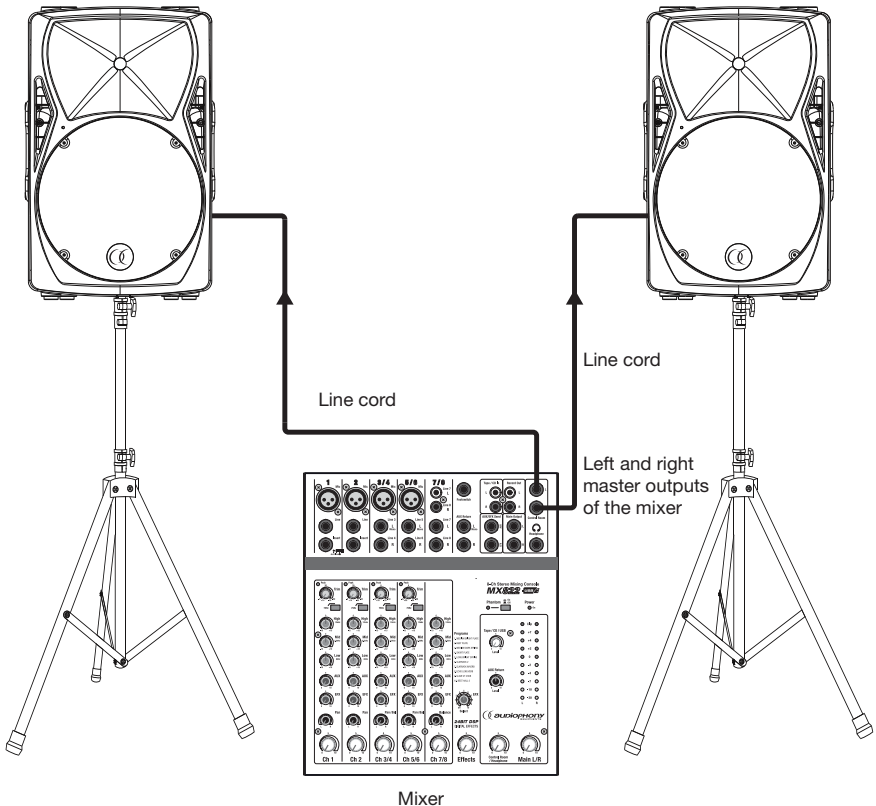
Playback can be started or paused.

SX12A/SX15A input setting

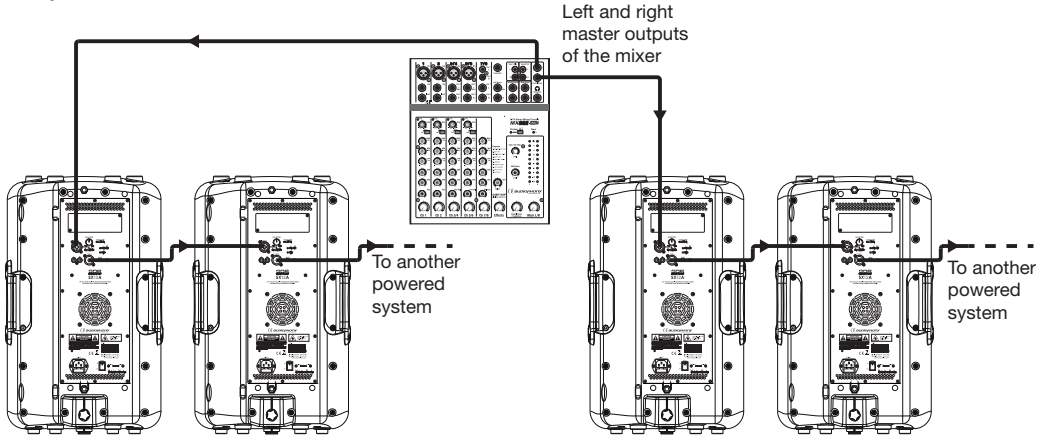
- 1 - Connect the loudspeaker to the mains via IEC plug / 2-pin + earth. Leave the power switch in the OFF position.
- 2 - Set the MASTER potentiometer to the $-\infty$ position.
- 3 - Connect your microphone or line level source or both. The line input can be accessed via a 3-pin 6.35 mm (TRS) jack and RCA LINE IN. To access to the microphone preamplifier, use the XRL plug
- 4 - Switch on the line level source.
- 5 - Switch on the SX speaker.
- 6 - While you are speaking in a microphone or an audio signal is being played from your line-level source, turn the input MASTER knob until the LIMIT LED lights up in red, then turn it down just below that level.
- 7 - If you use a microphone, be careful not to stand too close to the speaker as this may result in feedback.

6 - Principle diagram

Typical use



Multiple use



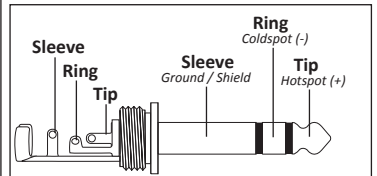
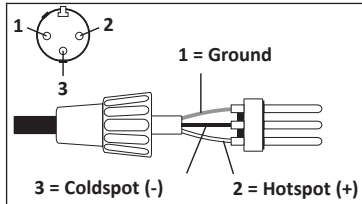
Note : You can daisy-chain several SX speakers, however do not exceed 4 speakers simultaneously.

7 - Connectors

7.1 - Balanced

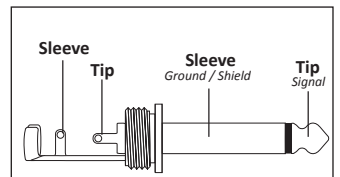
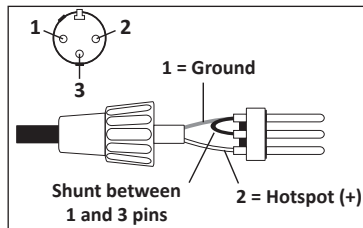
The COMBO sockets are symmetrical. This type of connectors allows you to transmit a signal over long runs of cables without altering its quality, that is why we recommend to use symmetrical signals.

The figures opposite describe the balanced wiring of the XLR or Jack 6.35 plugs.



7.2 - Unbalanced

If you do not have any source with symmetrical signal, please do not use cables longer than 1.5 m. The figures opposite describe the unbalanced wiring of the XLR or Jack 6.35 plugs.



Because AUDIOPHONY® takes the utmost care in its products to make sure you only get the best possible quality, our products are subjects to modifications without prior notice. That is why technical specifications and the products physical configuration might differ from the illustrations.

Make sure you get the latest news and updates about the AUDIOPHONY® products on www.audiophony.com
AUDIOPHONY® is a trademark of **HITMUSIC S.A.S** - Parc d'activités Cahors sud - 46230 FONTANES - FRANCE