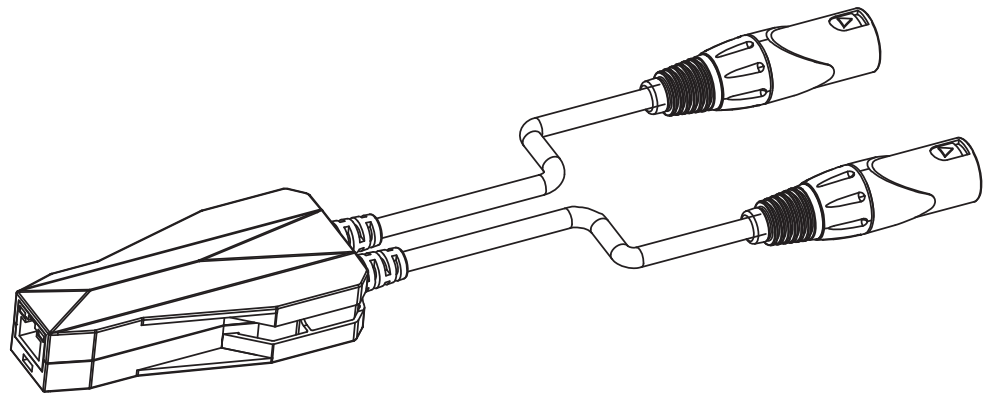


Dante converter RJ45 - XLR3 Analog Out



# ConvD2out

## 1 - Safety information

### Important safety information



This unit is intended for indoor use only. Do not use it in a wet, or extremely cold/hot locations. Failure to follow these safety instructions could result in fire, electric shock, injury, or damage to this product or other property.



Any maintenance procedure must be performed by a CONTEST authorised technical service. Basic cleaning operations must thoroughly follow our safety instructions.



This product contains non-isolated electrical components. Do not undertake any maintenance operation when it is switched on as it may result in electric shock.

### Symbols used



This symbol signals an important safety precaution.



The WARNING symbol signals a risk to the user's physical integrity. The product may also be damaged.



The CAUTION symbol signals a risk of product deterioration.

## Instructions and recommendations

### 1 - Please read carefully :

We strongly recommend to read carefully and understand the safety instructions before attempting to operate this unit.

### 2 - Please keep this manual :

We strongly recommend to keep this manual with the unit for future reference.

### 3 - Operate carefully this product :

We strongly recommend to take into consideration every safety instruction.

### 4 - Follow the instructions:

Please carefully follow each safety instruction to avoid any physical harm or property damage.

### 5 - Avoid water and wet locations :

Do not use this product in rain, or near washbasins or other wet locations.

### 6 - Installation :

We strongly encourage you to only use a fixation system or support recommended by the manufacturer or supplied with this product. Carefully follow the installation instructions and use the adequate tools.

Always ensure this unit is firmly fixed to avoid vibration and slipping while operating as it may result in physical injury.

### 7 - Ceiling or wall installation :

Please contact your local dealer before attempting any ceiling or wall installation.

### 8 - Ventilation :

The cooling vents ensure a safe use of this product, and avoid any overheating risk. Do not obstruct or cover these vents as it may result in overheating and potential physical injury or product damage. This product should never be operated in a closed non-ventilated area such as a flight case or a rack, unless cooling vents are provided for the purpose .

### 9 - Heat exposure :

Sustained contact or proximity with warm surfaces may cause overheating and product damages. Please keep this product away from any heat source such as a heaters, amplifiers, hot plates, etc...

**CAUTION**

**RISK OF ELECTRIC SHOCK**

**DO NOT OPEN**

**WARNING :** This unit contains no user-serviceable parts. Do not open the housing or attempt any maintenance by yourself. In the unlikely even your unit may require service, please contact your nearest dealer.

In order to avoid any electrical malfunction, please do not use any multi-socket, power cord extension or connecting system without making sure they are perfectly isolated and present no defect.

### Sound levels

Our audio solutions deliver important sound pressure levels (SPL) that can be harmful to human health when exposed during long periods. Please do not stay in close proximity of operating speakers.

### Recycling your device

- As HITMUSIC is really involved in the environmental cause, we only commercialise clean, ROHS compliant products.
- When this product reaches its end of life, take it to a collection point designated by local authorities. The separate collection and recycling of your product at the time of disposal will help conserve natural resources and ensure that it is recycled in a manner that protects human health and the environment.

### 10 - Electric power supply :

This product can only be operated according to a very specific voltage. These information are specified on the label located at the rear of the product.

### 11 - Power cords protection:

Power-supply cords should be routed so that they are not likely to be walked on or pinched by items placed upon or against them, paying particular attention to cords at lugs, convenience receptacles and the point where they exit from the fixture.

### 12 - Cleaning precautions :

Unplug the product before attempting any cleaning operation. This product should be cleaned only with accessories recommended by the manufacturer. Use a damp cloth to clean the surface. Do not wash this product.

### 13 - Long periods of non use :

Disconnect the unit's main power during long periods of non use.

### 14 - Liquids or objects penetration :

Do not let any object penetrate this product as it may result in electric shock or fire. Never spill any liquid on this product as it may infiltrate the electronic components and result in electric shock or fire.

### 15 - This product should be serviced when :

Please contact the qualified service personnel if :

- The power cord or the plug has been damaged.
- Objects have fallen or liquid has been spilled into the appliance.
- The appliance has been exposed to rain or water.
- The product does not appear to operate normally.
- The product has been damaged.

### 16 - Inspection/maintenance :

Please do not attempt any inspection or maintenance by yourself. Refer all servicing to qualified personnel.

### 17 - Operating environment :

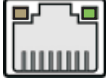
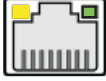


Ambient temperature and humidity: +5 - +35°C, relative humidity must be less than 85% (when cooling vents are not obstructed).

Do not operate this product in a non-ventilated, very humid or warm place.

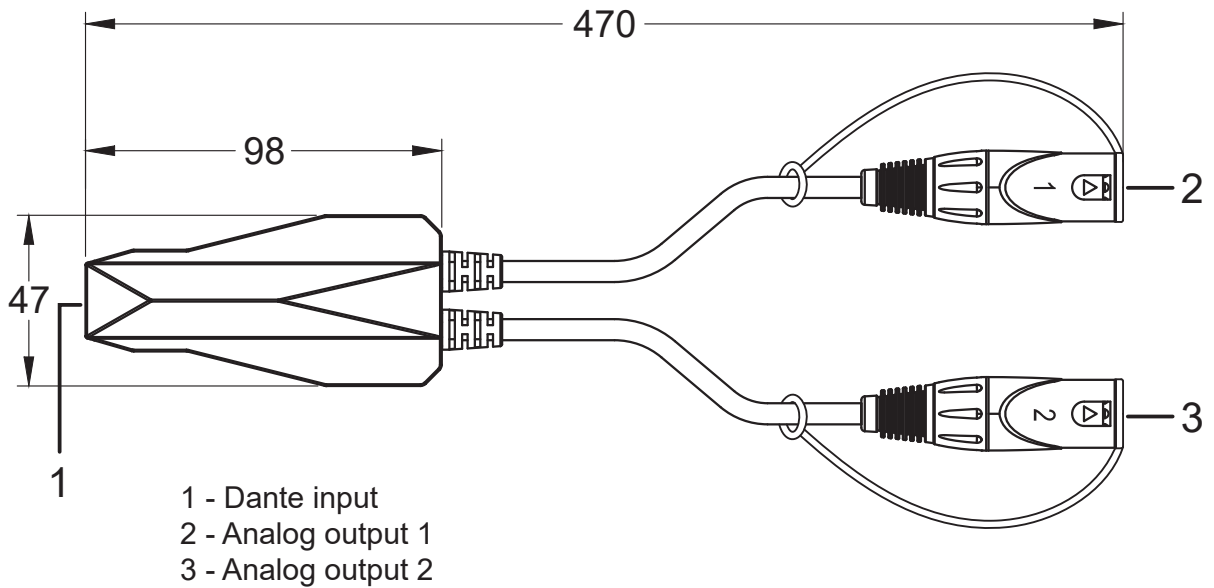
## 2 - Technical data

Analog audio	Maximum output level (balanced)	+4 dBu @ 0 dBFS
	Output Impedance	150 Ohms (balanced) or 75 Ohms (unbalanced)
	Frequency response	20 Hz à 20 KHz ( $\pm$ 5 dB)
	Dynamic range	> 100 dB
	SNR	> 100 dB
	THD	< 0.05% @ +4 dBu
Dante audio	Number of channels	2 output channels
	Sample rate	44.1 KHz, 48 KHz
	Bit depth	24 bits
	Network speed	100 MB
Network transmission	Dante audio, AES67 RTP	
Electrical data	Power consumption	< 2 Watts
	Power over ethernet	Class 1 802.3af POE PD compliant
Mechanical data	Insertion and withdrawal force	10 N ~ 30 N
	Net weight	165g
Connectors	Output connectors	2 x balanced analog XLR (3P)
	Dante connector	1 port RJ45
Materials	Housing	Black ABS
	Cable	Black PVC balanced audio cable, $\varnothing$ 6mm
Climatic data	Operating temperature	-5°C ~ +60°C

### 3 - RJ45 LED indicator for network link status

LED status	LED sketch	Comment
Both off		No power
Solid YELLOW (left) GREEN off (right)		10Mbps link detected (Note: 10Mbps Ethernet not supported)
Solid YELLOW (left) Solid GREEN (right)		100Mbps link detected
Blinking YELLOW ( ) Solid GREEN (right)		Network activity

### 4 - Product overview



## 5 - Software part

### Required Software for Dante Adapter

When using Dante adapter for the first time, Dante Virtual Soundcard and Dante Controller software can be installed from and installed on the computer, and make sure to keep the latest version of the software. Licensing of Dante Virtual Soundcard can be purchased from Audinate company.

### Dante Virtual Soundcard

Dante Virtual Soundcard turns your computer into a Dante-powered workstation, seamlessly integrating your PC with Dante audio devices on your network. You can instantly connect to a Dante network to record, process and playout using any audio application and any combination of Dante-enabled devices.

### Dante Controller

Dante Controller is a free software application that enables you to route audio and configure devices on a Dante network. As well as automatic device discovery, one-click signal routing and user-editable device and channel labels, Dante Controller makes Dante network configuration far simpler than ever.

#### 1. Device Config/Rename Device

After Dante Controller is opened, all Dante devices on the network will be automatically identified. Default device names will be simply represented by the last few digits of MAC addresses. To rename device, double click device name, enter a new name via the Rename Device “ ” tab of “Device Config”, press “Apply”, select “Yes”.

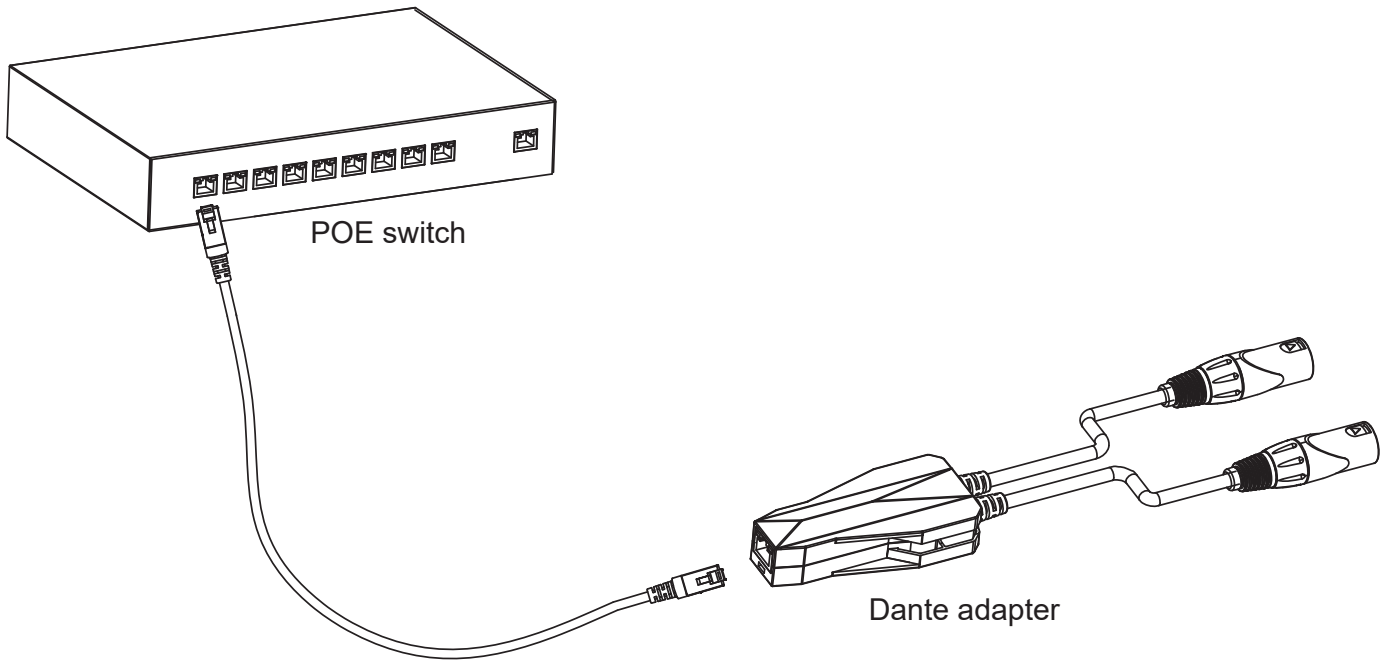
#### 2. Sample Rate Change

Restart the host after setting Dante Controller.

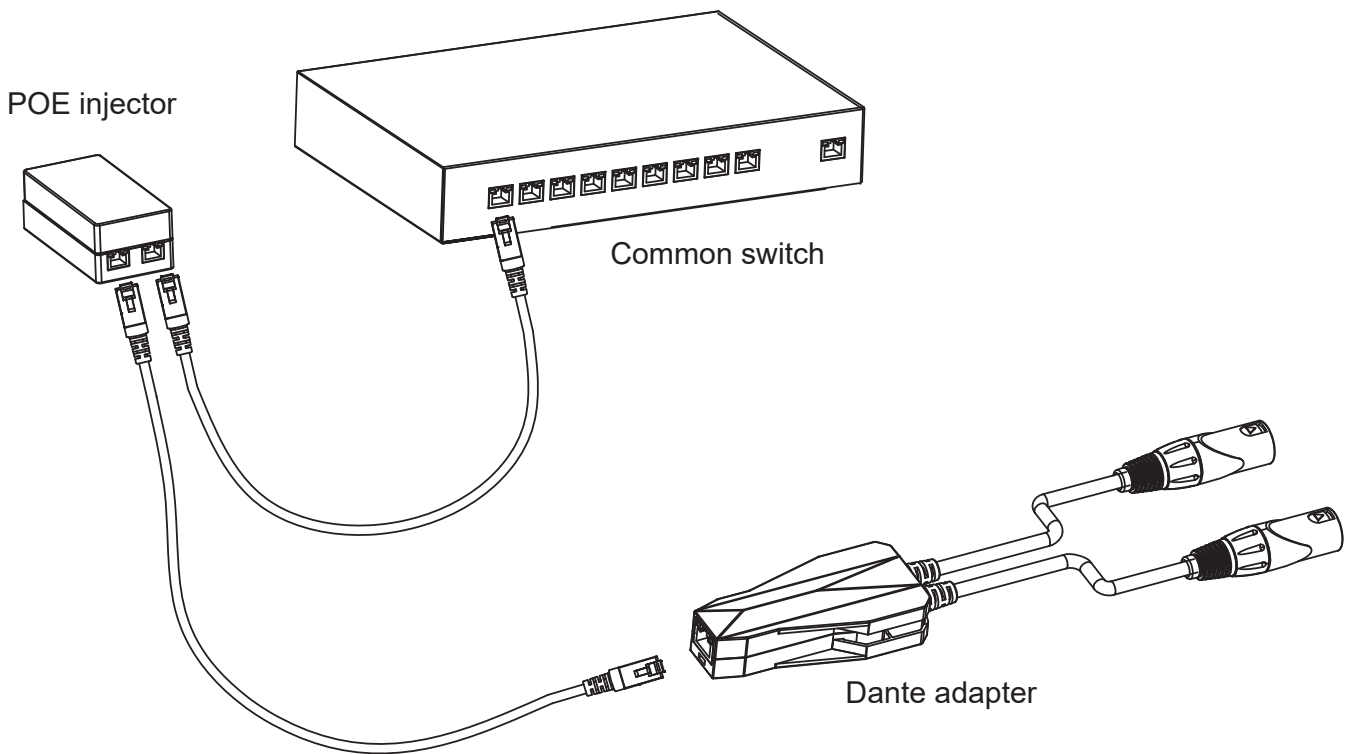
**For operation details of Dante Virtual Soundcard and Dante Controller, please see Audinate website - SUPPORT - Technical Documentation.**

## 6 - Connection to the system

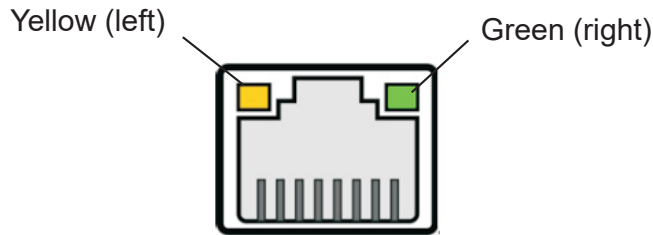
1. Connect Dante adapter to the POE switch already connected to the network.



2. If there is not a PoE switch available, please connect Dante adapter to the POE injector, then connect PoE injector to a common switch already connected to your Dante network.



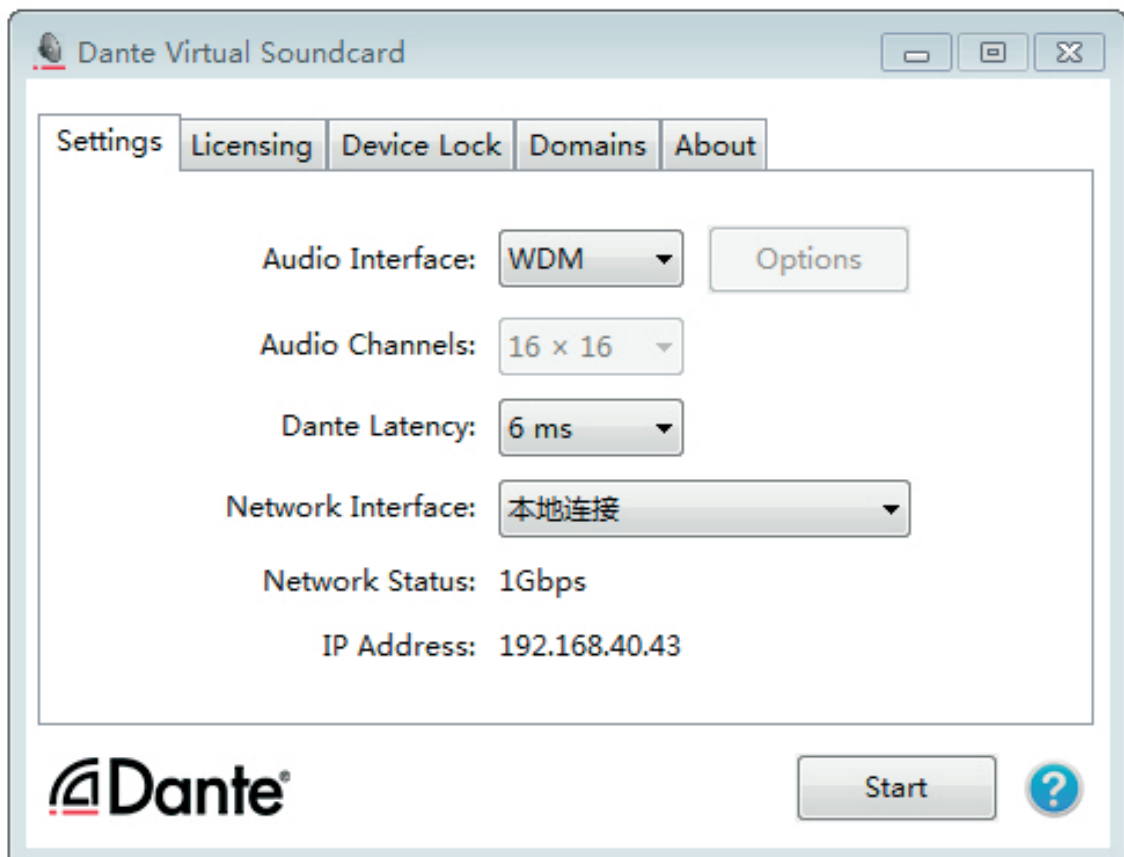
3. Ensure LED is solid on the RJ45 port of Dante adapter (Blinking yellow, solid Green)



4. Connect Dante adapter to audio device and computer

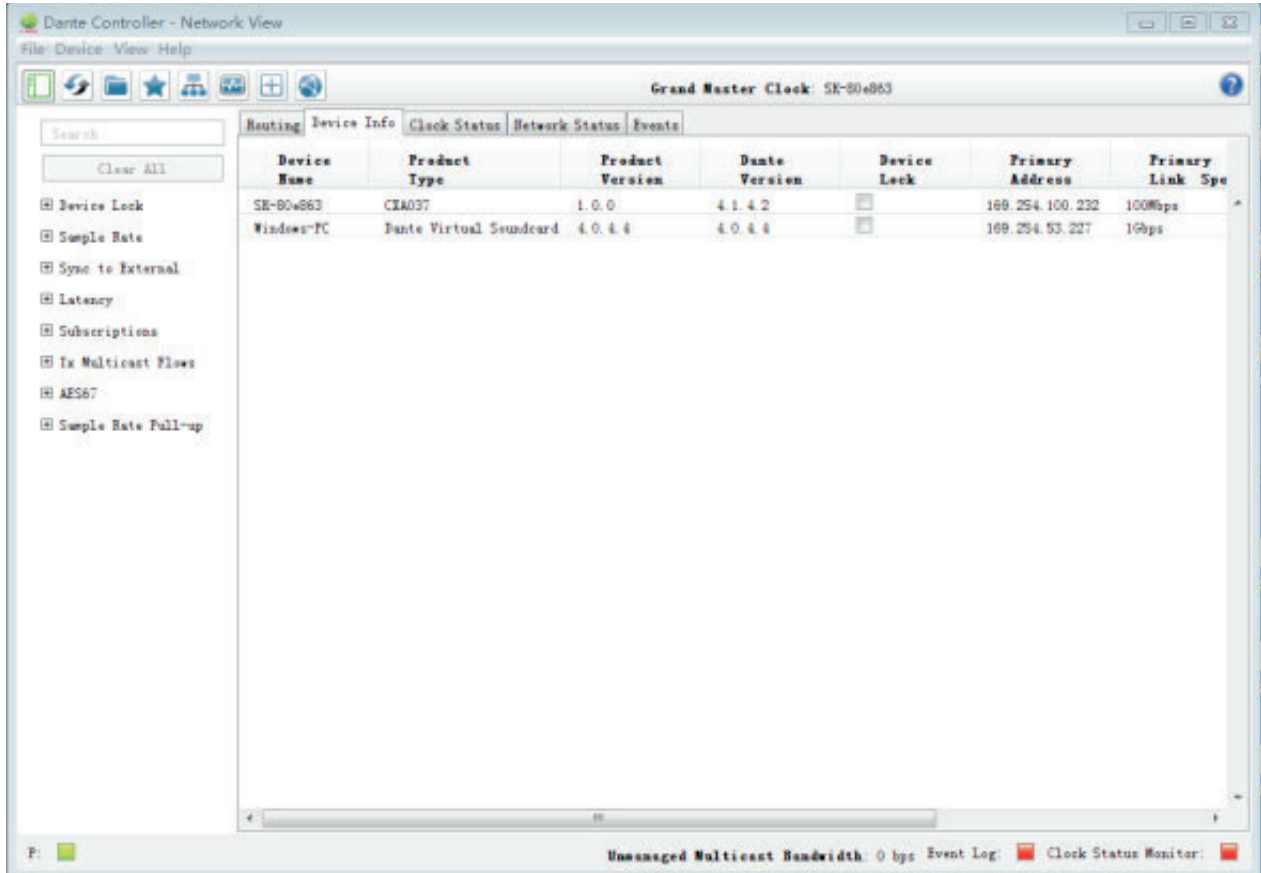
- ▶ Connect the XLR MALE of Dante adapter to analog input connector of audio device.
- ▶ Connect the computer running Dante Software to the POE switch already connected to the network via the cable.

5. Open Dante Virtual Soundcard on the computer, select the appropriate Audio Interface, then click "Start". If Dante Virtual Soundcard is already started, ignore this operation step.

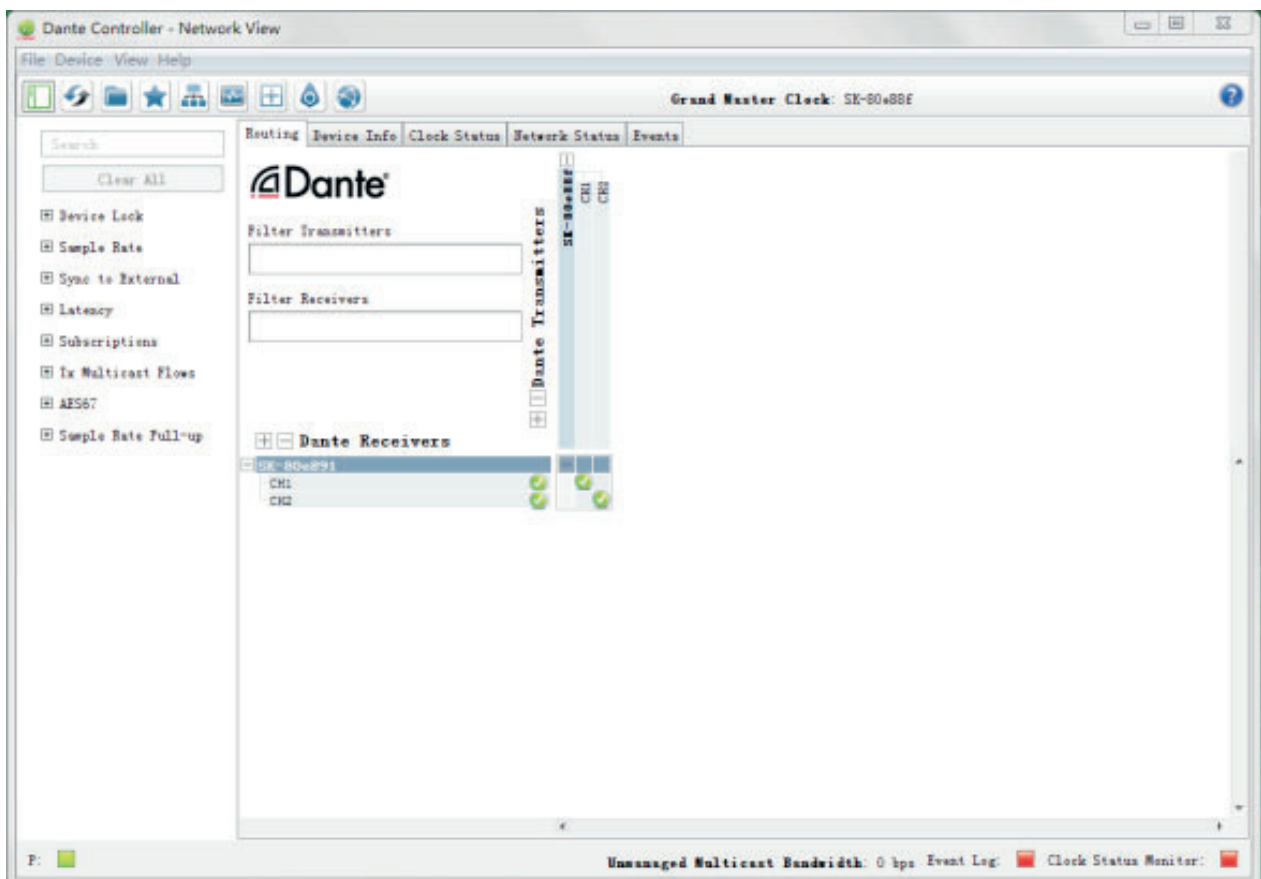


## 7 - Audio Signal Routing

Open Dante Controller, view the Primary Address via Device Info , the IP Address of Dante adapter is in the same subnet as the computer.



Configure the routing channel in Dante Controller, after correct configuration, the sound can be played now.





## 7 - FAQs

### **Can Dante devices be daisy chained?**

In most cases the answer is “no”. Dante devices are connected via a network switch, which most often means a “star” topology.

### **Can I configure my Dante devices with static IP addresses?**

Yes, you can configure static IP addresses for one or both of the Ethernet ports (for supported devices), via the “Network Config” tab of the “Device” - “Device View” for the device. However, by default, Dante devices obtain IP addresses automatically - so there should be no need to specify static IP addresses, unless it is a specific requirement for your network.

### **Can I install a single licensed copy of Dante Virtual Soundcard on all my computers?**

Dante Virtual Soundcard is licensed to one machine per license and thus is "licensed" to the machine upon which it is registered.

### **Do I need to start Dante Virtual Soundcard each time I wish to use it?**

No. It is not necessary to turn Dante Virtual Soundcard off when you power off your computer. Dante Virtual Soundcard will show up as a soundcard in your audio settings. Once the application window is closed, Dante Virtual Soundcard continues to function and be available, even if the computer is restarted.

### **Can Dante work with Fiber Optic network cable?**

Yes. Because Dante works with standards based networking technology, using fiber is simple. Use a switch that supports fiber connections to send Dante data over a fiber optic cable.

### **Does the number of devices or channels in use affect latency?**

No and no. Adding new devices to a network does not affect the latency of devices already in the network. The latency of hardware devices does not depend on the number of audio channels routed, and routing additional audio channels does not change the latency of audio already passing through the network.

### **What type of Ethernet cable is recommended for Dante?**

As most Dante devices support gigabit Ethernet, CAT5E or CAT6 cable is recommended. For purely 100Mbps networks, CAT5 may be used.

Because AUDIOPHONY® takes the utmost care in its products to make sure you only get the best possible quality, our products are subjects to modifications without prior notice. That is why technical specifications and the products physical configuration might differ from the illustrations.

Make sure you get the latest news and updates about the AUDIOPHONY® products on [www.audiophony.com](http://www.audiophony.com)  
AUDIOPHONY® is a trademark of HITMUSIC S.A.S - Zone Cahors sud - 46230 FONTANES - FRANCE